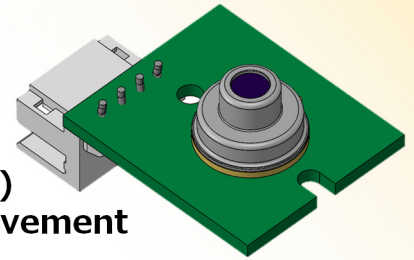


Thermopile sensor unit

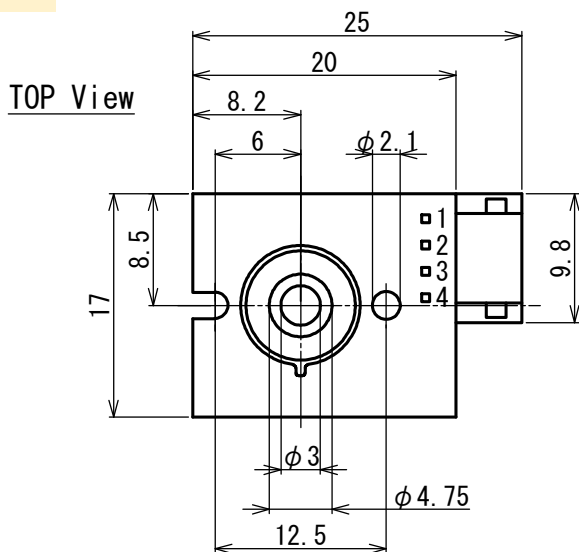
TSUP-A3D01S-AU-50-300

- Applications IH Cooker(Pot surface temperature detection)
Target temperature -20~300°C

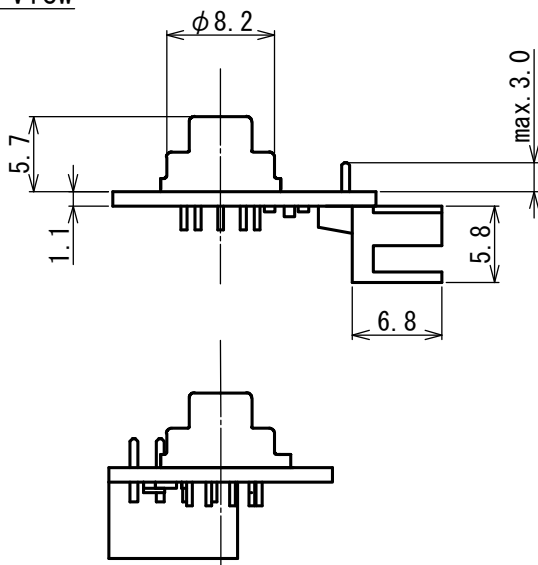
- Feature Thermopile sensor Unit (SMBus comms)
Temperature drift performance improvement (Single element)



Dimensions

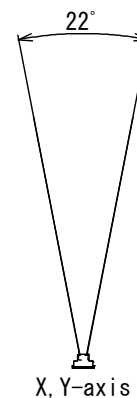


SIDE View

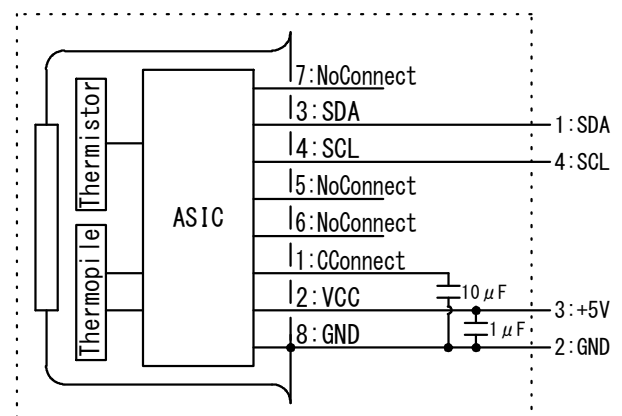


Tolerance with no specified : +/- 0.2

FOV



Circuit diagram



■ Main Parameter

Parameter	Condition	Spec.			Unit
		Min.	Typ.	Max.	
Operating Voltage		4.5	5	5.5	V
Detection Temperature		-20		400	°C
Operating Temperature		-20		100	°C
Storage Temperature		-30		105	°C
Accuracy	Tobj=200°C、Tamb=25°C	-3		+3	°C
Time Constant				200	msec.