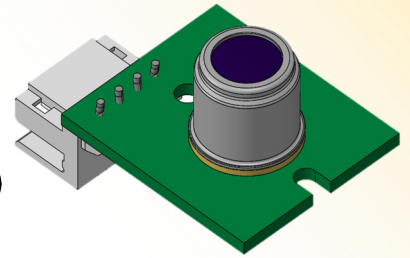


Thermopile sensor unit

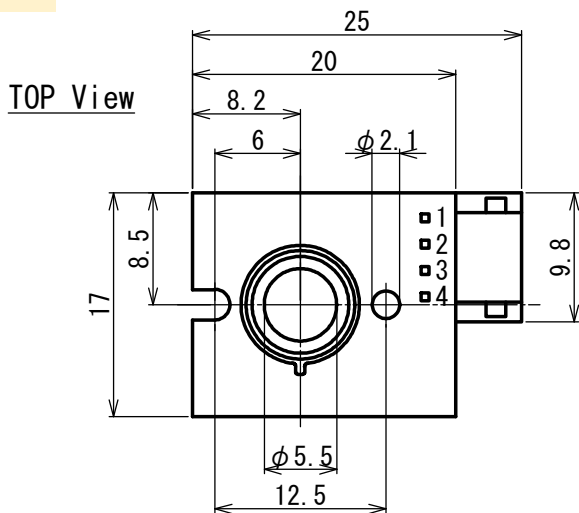
TSUP-A3A01S-CU-33-300

■ Applications **Printer**
(Thermal roller temperature detection)

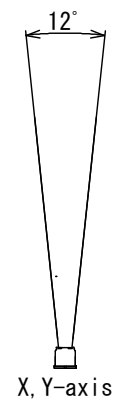
■ Feature **Thermopile sensor Unit (Analog output)**
Focused detection (Single element)



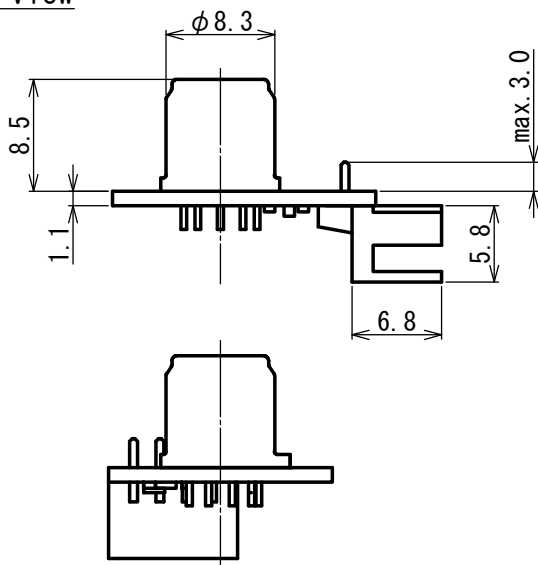
Dimensions



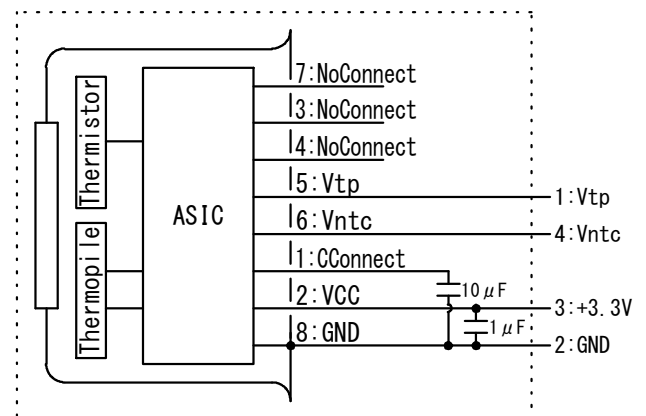
FOV



SIDE View



Circuit diagram



Tolerance with no specified : +/- 0.2

■ Main Parameter

Parameter	Condition	Spec.			Unit
		Min.	Typ.	Max.	
Operating Voltage		3	3.3	3.6	V
Detection Temperature		-20		300	°C
Operating Temperature		-20		100	°C
Storage Temperature		-30		105	°C
Accuracy	Tobj=200°C、Tamb=25°C	-3		+3	°C
Time Constant				200	msec.