

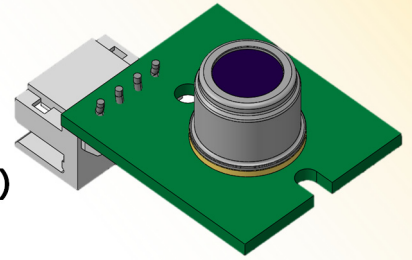
Thermopile sensor unit



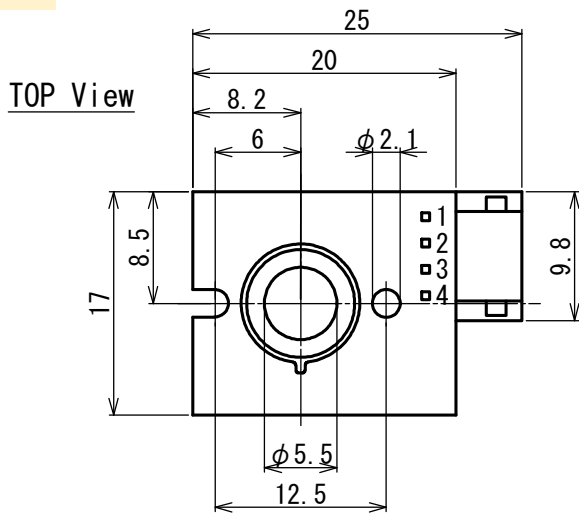
TSUP-A1D08A-BU-50-120

- Applications Microwave oven
(Food temperature detection)
Target temperature -20~120°C

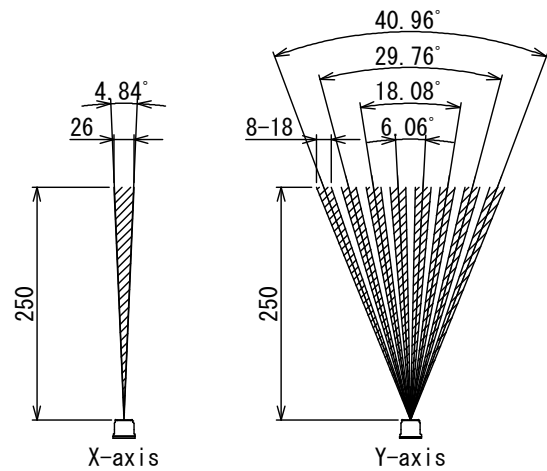
- Feature Thermopile sensor Unit (SMBus comms)
8 array element



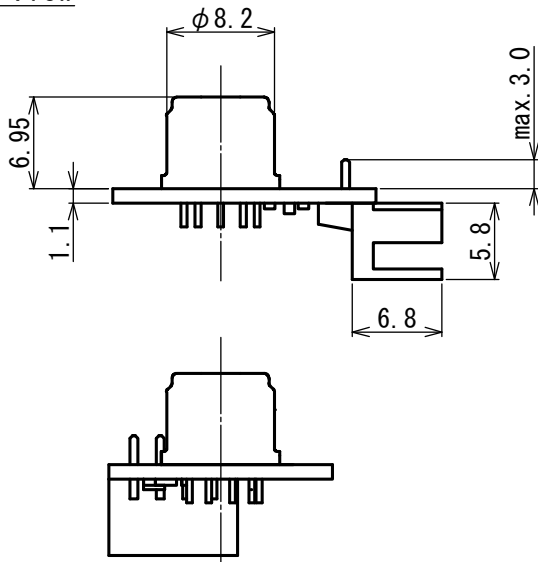
Dimensions



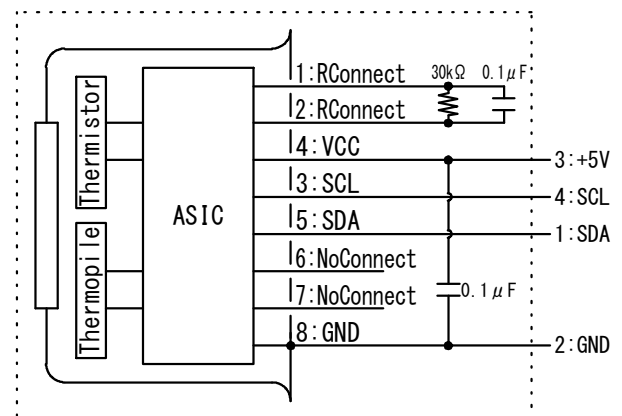
FOV



SIDE View



Circuit diagram



Tolerance with no specified : +/- 0.2

■ Main Parameter

Parameter	Condition	Spec.			Unit
		Min.	Typ.	Max.	
Operating Voltage		4.5	5	5.5	V
Detection Temperature		-20		120	°C
Operating Temperature		-20		100	°C
Storage Temperature		-30		105	°C
Accuracy	Tobj=70°C、Tamb=25°C	-2		+2	°C
Time Constant				200	msec.