

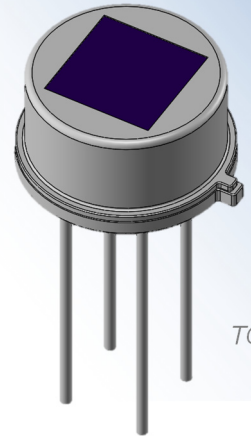
# Pyroelectric IR sensor



## SDG413-611

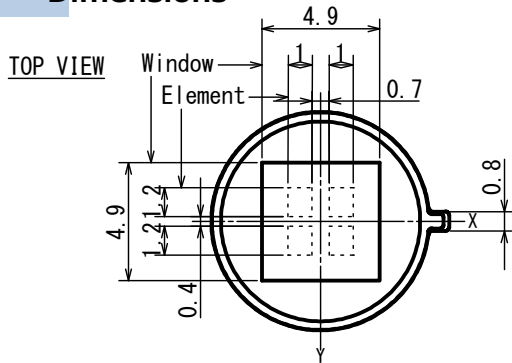
■ Applications Lighting, Doorbell, IP Camera  
HVAC, Home appliances

■ Feature General Purpose  
4-element and 2-channel sensor  
Pet immunity sensor

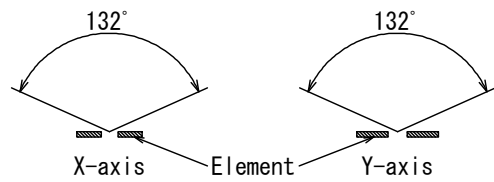


TO-5

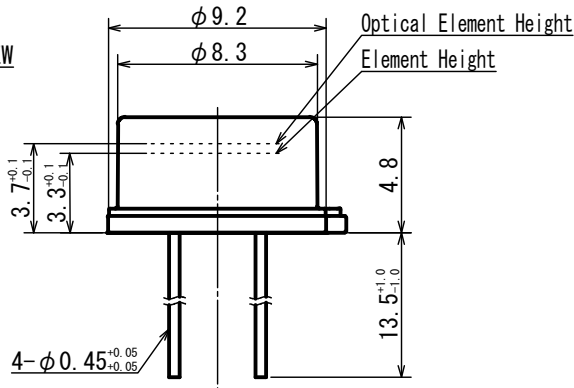
### Dimensions



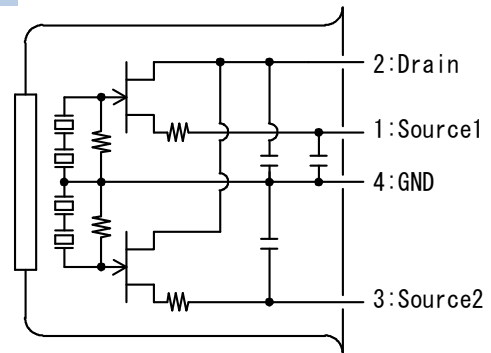
### FOV



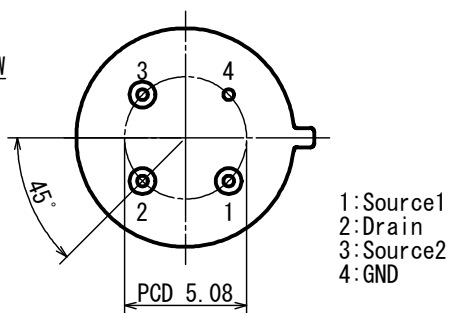
### SIDE VIEW



### Circuit diagram



### BOTTOM VIEW



Tolerance with no specified : +/- 0.2

### ■ Main Parameter

Parameter	Condition	Spec.			Unit
		Min.	Typ.	Max.	
Operating Voltage		1		15	V
Source Voltage	Vd=5V, Rs=470kΩ, Ta=25°C	0.3		1.4	V
Sensitivity Output	72.5dB, 1Hz, 420K	2.5	4.2		V
Noise Output	72.5dB		120	250	mV
Operating Temperature		-40		70	°C