

# Pyroelectric IR sensor

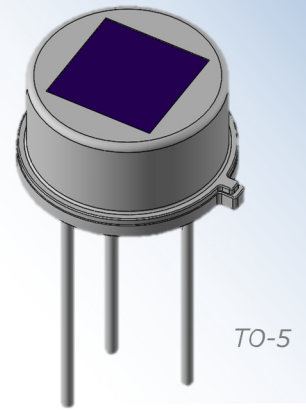


## D1-446-AA

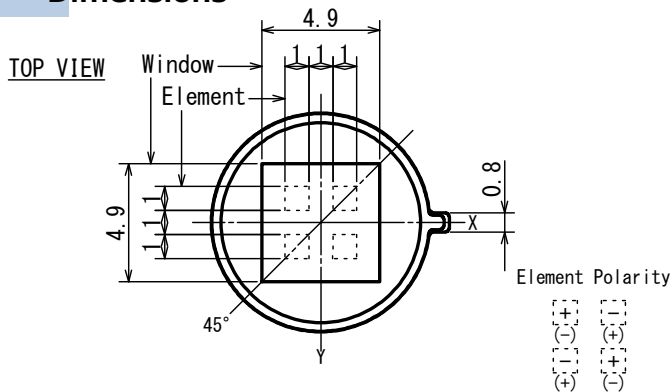
D-Pyro™

- Applications Doorbell, IP Camera, HVAC  
Home appliances, Security

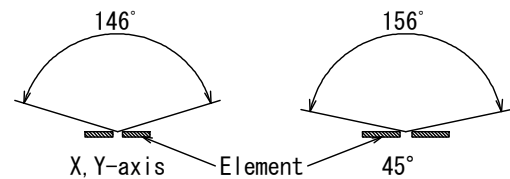
- Feature Omni-directional 4-element and  
1-channel sensor (for ceiling mount)  
ASIC build-in type  
(ON/OFF output type)



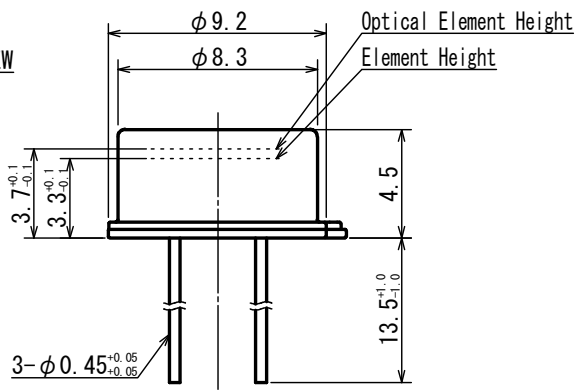
### Dimensions



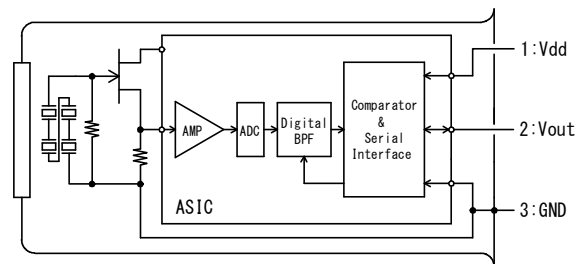
### FOV



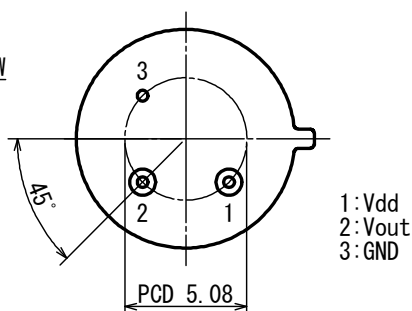
### SIDE VIEW



### Circuit diagram



### BOTTOM VIEW



Tolerance with no specified : +/- 0.2

### Main Parameter

Parameter	Condition	Spec.			Unit
		Min.	Typ.	Max.	
Operating Voltage		1.8		5.5	V
Supply Current	Vdd=3.0V		3	5	$\mu$ A
ON Signal Voltage	In detection.	Vdd $\times$ 0.9			V
Detection Signal Update Cycle			9.5		msec.
Operating Temperature		-40		85	$^{\circ}$ C