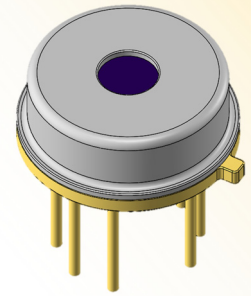


Thermopile sensor

A3D01S-FB-50-60

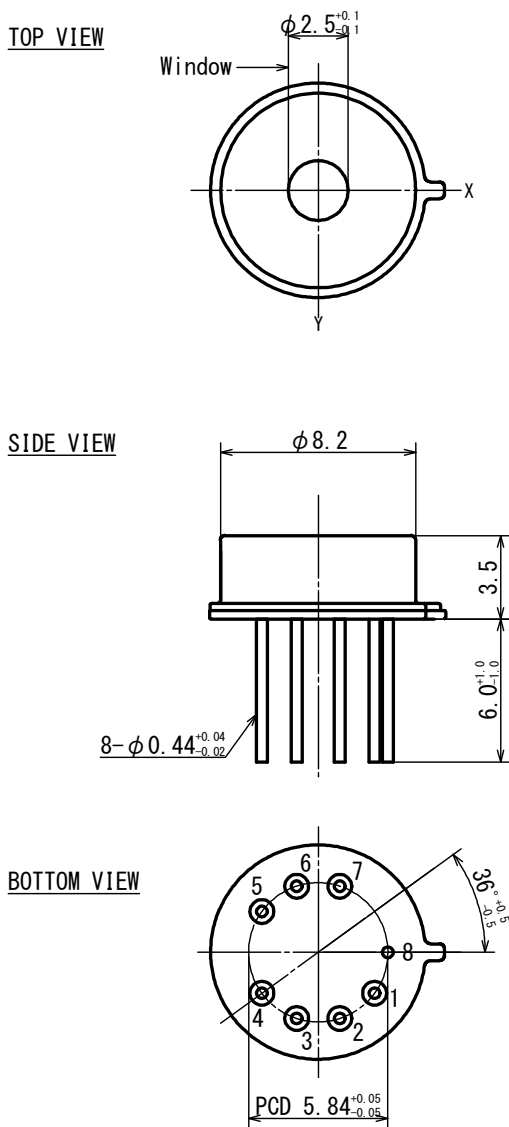
- Applications Air-conditioner
(Floor temperature monitor)
Target temperature -20~60°C

- Feature ASIC built-in thermopile (SMBus comms)
Wide-angle detection (Single element)



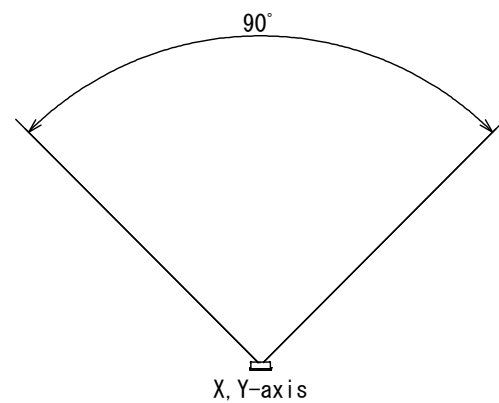
TO-5

Dimensions

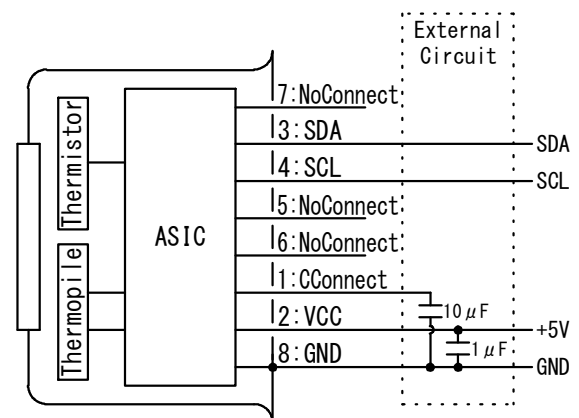


Tolerance with no specified : +/- 0.2

FOV



Circuit diagram



■ Main Parameter

Parameter	Condition	Spec.			Unit
		Min.	Typ.	Max.	
Operating Voltage		4.5	5	5.5	V
Detection Temperature		-20		400	°C
Operating Temperature		-20		100	°C
Storage Temperature		-30		105	°C
Accuracy	Tobj=40°C、Tamb=25°C	-2		+2	°C
Time Constant				200	msec.