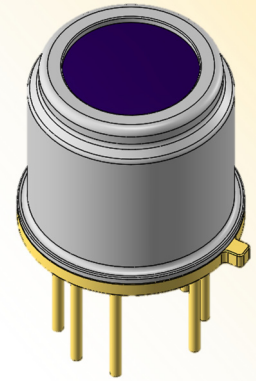


Thermopile sensor

A3A01S-CU-33-300

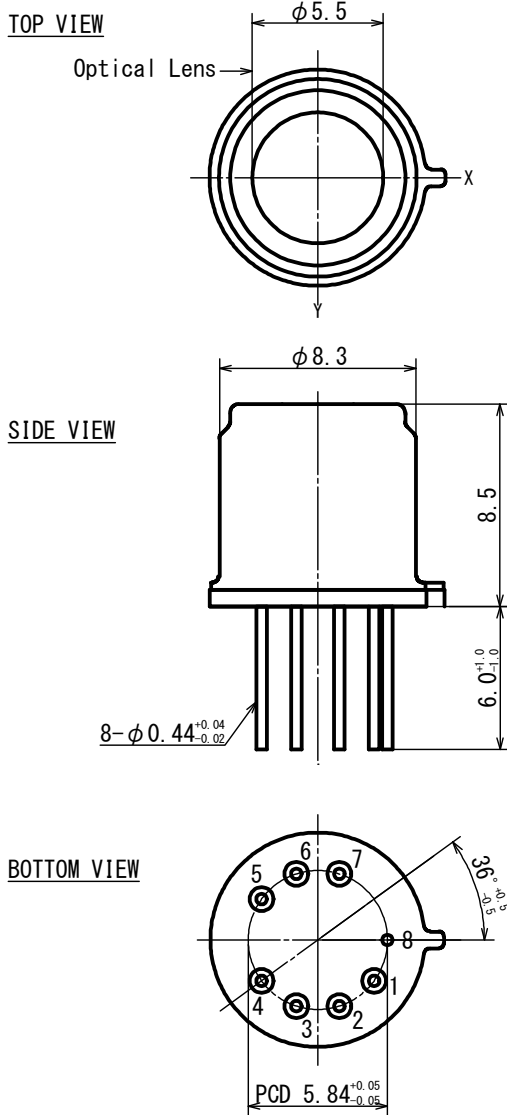


TO-5

■ Applications **Printer**
(Thermal roller temperature detection)

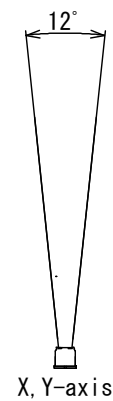
■ Feature **ASIC built-in thermopile (Analog output)**
Focused detection (Single element)

Dimensions

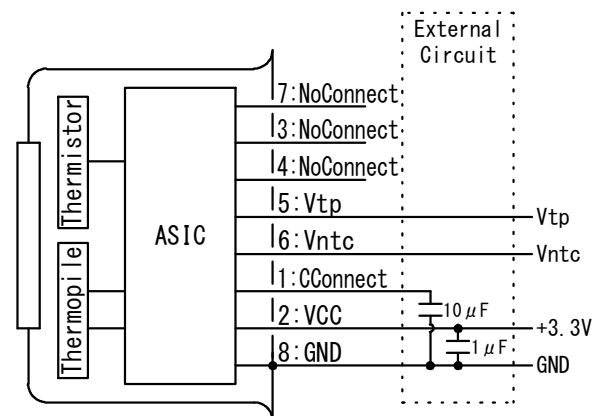


Tolerance with no specified : +/- 0.2

FOV



Circuit diagram



■ Main Parameter

Parameter	Condition	Spec.			Unit
		Min.	Typ.	Max.	
Operating Voltage		3	3.3	3.6	V
Detection Temperature		-20		300	°C
Operating Temperature		-20		100	°C
Storage Temperature		-30		105	°C
Accuracy	Tobj=200°C、Tamb=25°C	-3		+3	°C
Time Constant				200	msec.