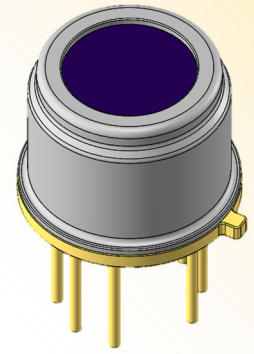


# Thermopile sensor

## A1D08A-BU-50-60

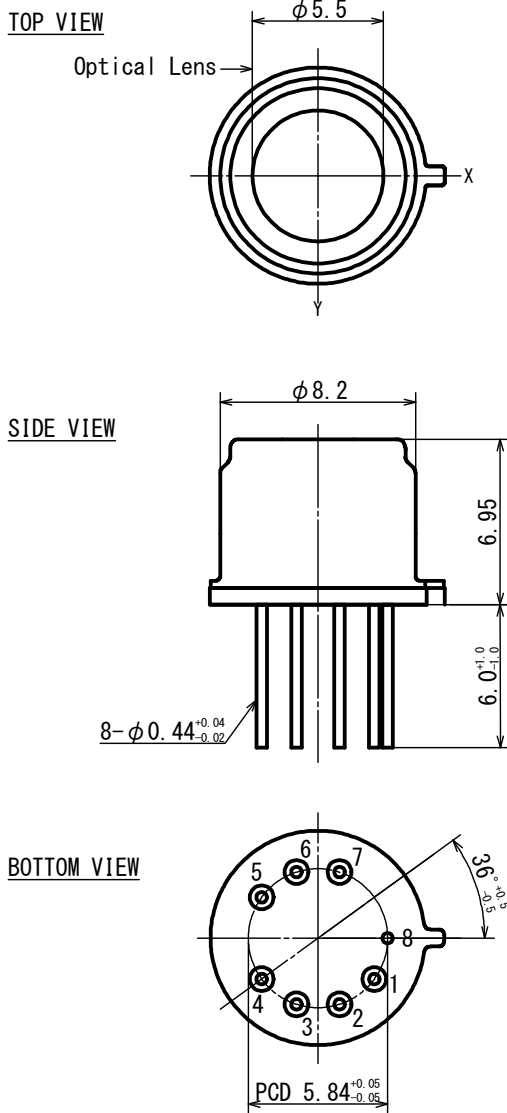


TO-5

- Applications Air-conditioner  
(Floor temperature monitor)  
Target temperature -20~60°C

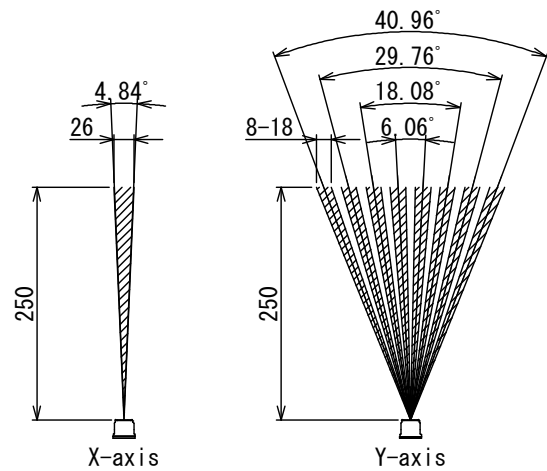
- Feature ASIC built-in thermopile (SMBus comms)  
8 array element

### Dimensions

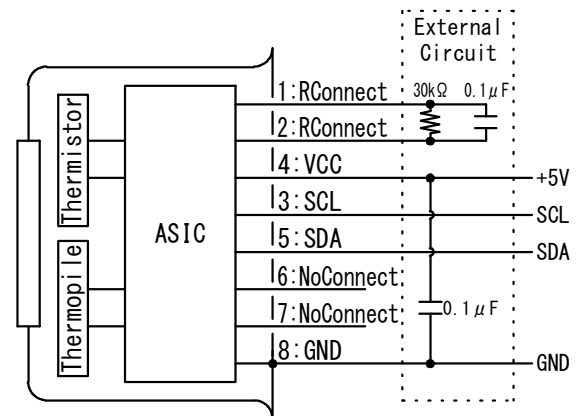


Tolerance with no specified : +/- 0.2

### FOV



### Circuit diagram



### ■ Main Parameter

Parameter	Condition	Spec.			Unit
		Min.	Typ.	Max.	
Operating Voltage		4.5	5	5.5	V
Detection Temperature		-20		60	°C
Operating Temperature		-20		100	°C
Storage Temperature		-30		105	°C
Accuracy	Tobj=40°C、Tamb=25°C	-2		+2	°C
Time Constant				200	msec.