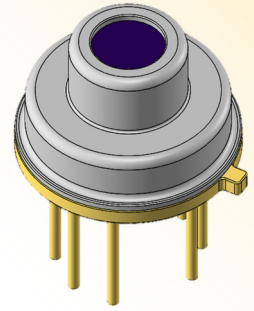


# Thermopile sensor

## A1D01S-AU-50-120

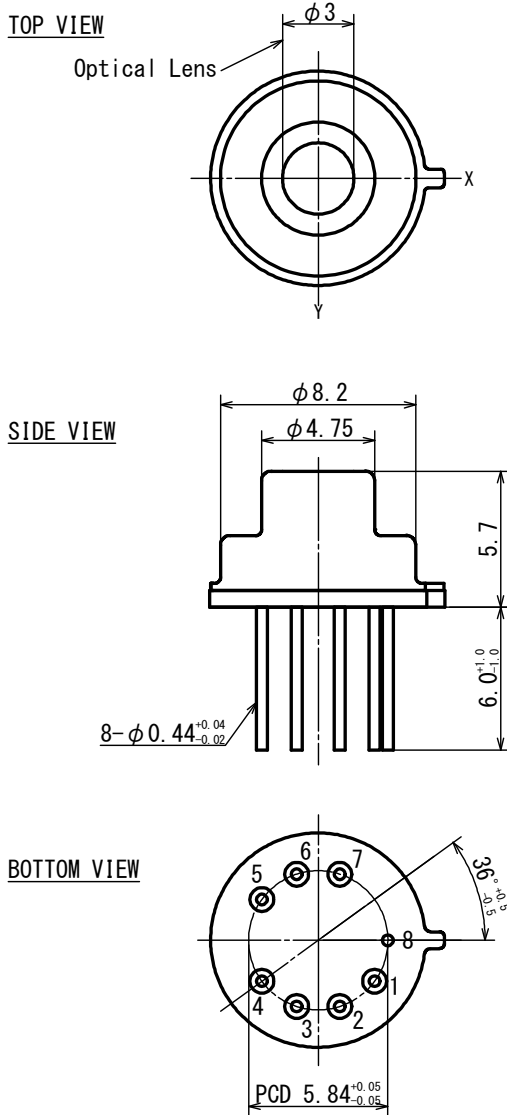
- Applications **Microwave oven**  
(Food temperature detection)  
Target temperature -20~120°C

- Feature **ASIC built-in thermopile (SMBus comms)**  
Single element



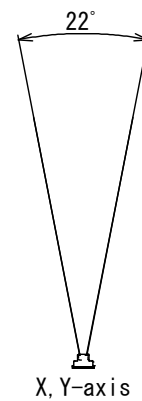
TO-5

### Dimensions

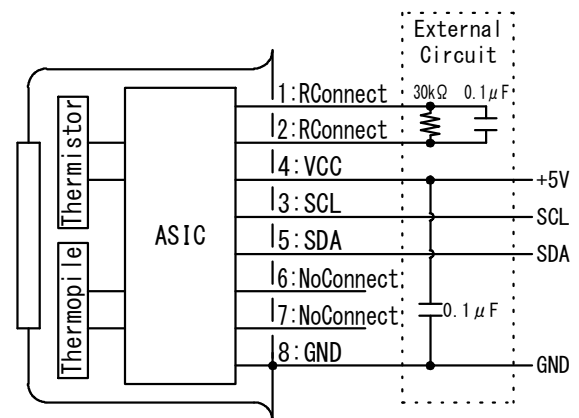


Tolerance with no specified : +/- 0.2

### FOV



### Circuit diagram



### ■ Main Parameter

Parameter	Condition	Spec.			Unit
		Min.	Typ.	Max.	
Operating Voltage		4.5	5	5.5	V
Detection Temperature		-20		120	°C
Operating Temperature		-20		100	°C
Storage Temperature		-30		105	°C
Accuracy	Tobj=70°C、Tamb=25°C	-2		+2	°C
Time Constant				200	msec.