

Pyroelectric IR sensor

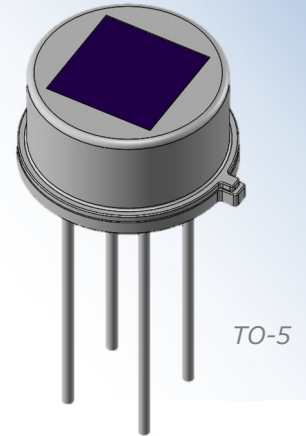


D4-469-AA

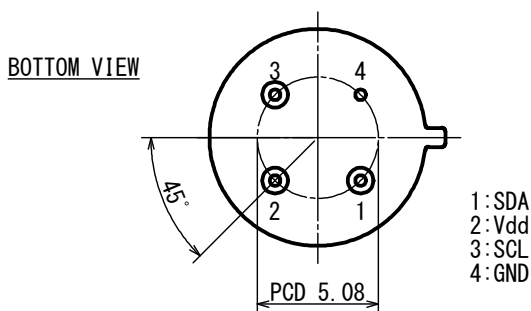
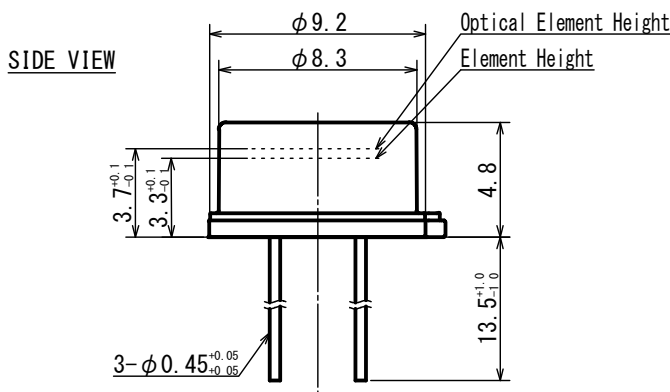
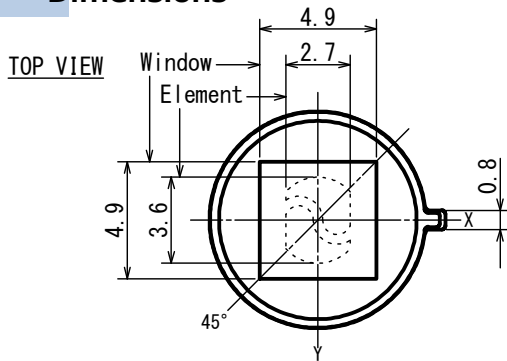
D-Pyro™
69-Pyro™

- Applications Doorbell, IP Camera, HVAC
Home appliances, Security

- Feature Omni-directional dual sensor
(both ceiling mount and wall mount)
ASIC build-in type(I²C type)

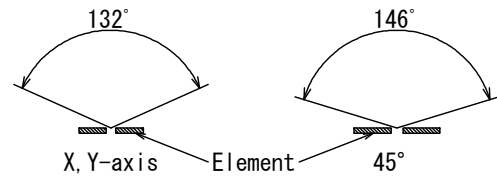


Dimensions

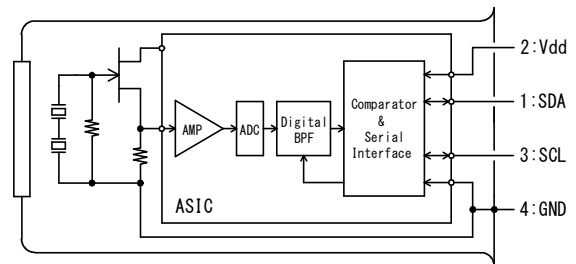


Tolerance with no specified : +/- 0.2

FOV



Circuit diagram



■ Main Parameter

Parameter	Condition	Spec.			Unit
		Min.	Typ.	Max.	
Operating Voltage		1.8		5.5	V
Supply Current	Vdd=3.0V		3	5	μA
Signal Output Bit Number			12		bit
I ² C Bus Mode			100		kbps
Operating Temperature		-40		80	°C