

# Pyroelectric IR sensor

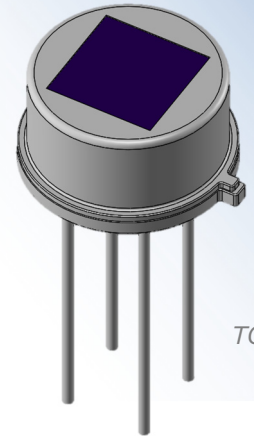


## D4-446-AA

D-Pyro™

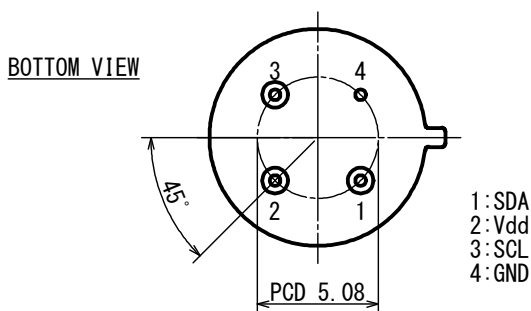
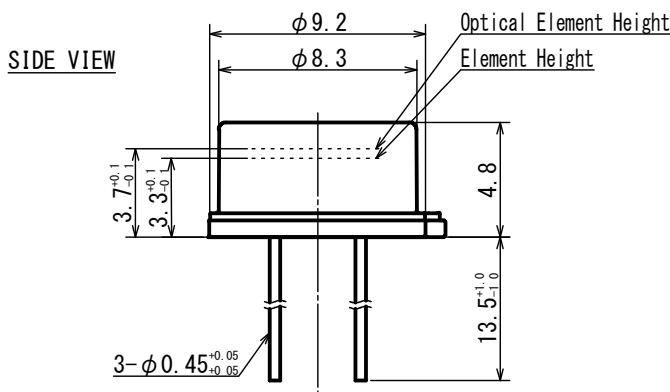
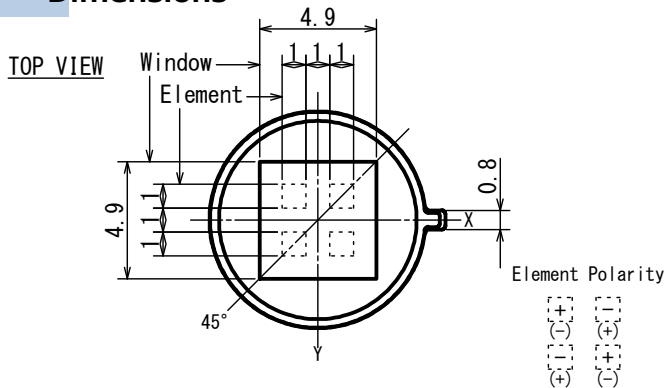
- Applications Doorbell, IP Camera, HVAC  
Home appliances, Security

- Feature Omni-directional 4-element and  
1-channel sensor (for ceiling mount)  
ASIC build-in type(I<sup>2</sup>C type)



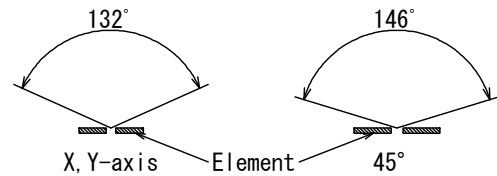
TO-5

### Dimensions

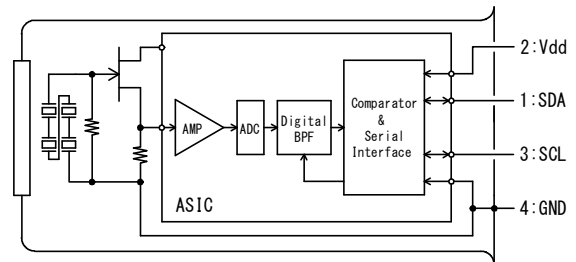


Tolerance with no specified : +/- 0.2

### FOV



### Circuit diagram



### ■ Main Parameter

Parameter	Condition	Spec.			Unit
		Min.	Typ.	Max.	
Operating Voltage		1.8		5.5	V
Supply Current	Vdd=3.0V		3	5	μA
Signal Output Bit Number			12		bit
I <sup>2</sup> C Bus Mode			100		kbps
Operating Temperature		-40		80	°C