

Pyroelectric IR sensor

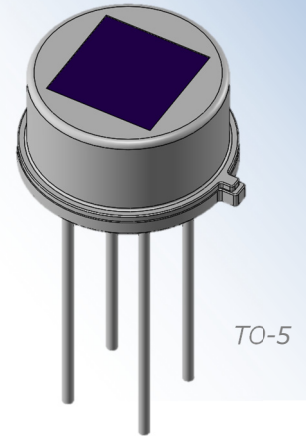


D3-446-AA

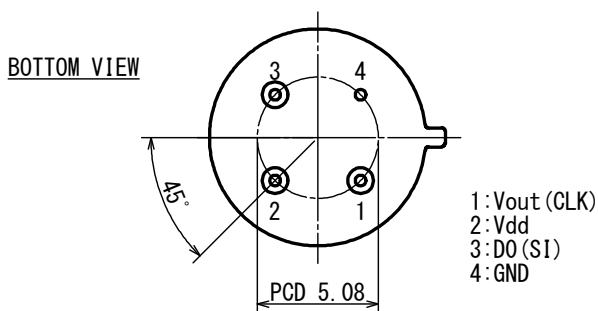
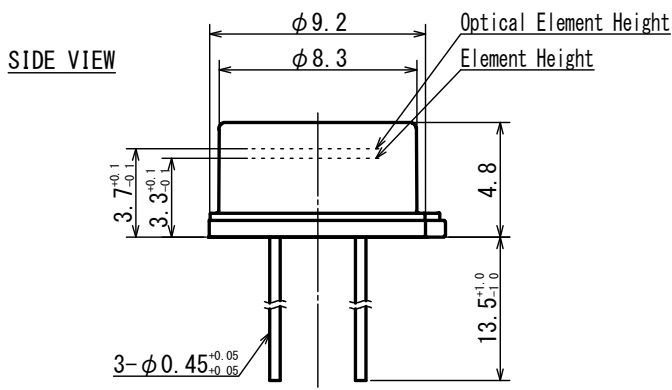
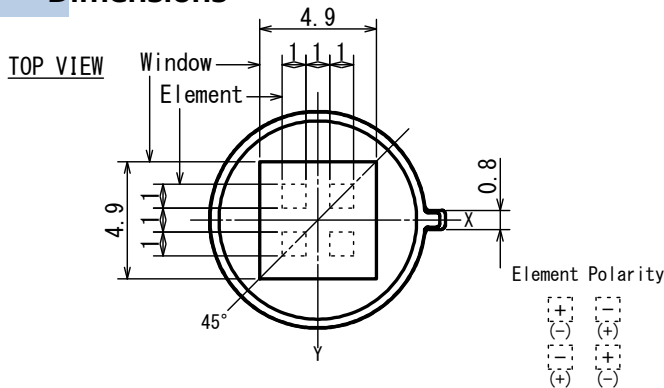
D-Pyro™

■ Applications Doorbell, IP Camera, HVAC
Home appliances, Security

■ Feature Omni-directional 4-element and
1-channel sensor (for ceiling mount)
ASIC build-in type
(UART·ON/OFF output type)

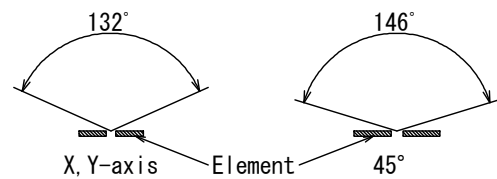


Dimensions

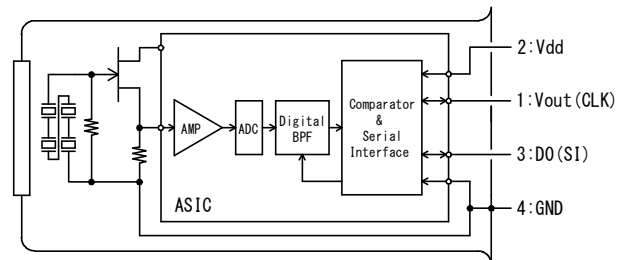


Tolerance with no specified : +/- 0.2

FOV



Circuit diagram



■ Main Parameter

Parameter	Condition	Spec.			Unit
		Min.	Typ.	Max.	
Operating Voltage		1.8		5.5	V
Supply Current	Vdd=3.0V		3	5	μA
Signal Output Bit Number			12		bit
Baud Rate			20		kbps
Operating Temperature		-40		80	°C