

# Pyroelectric IR sensor

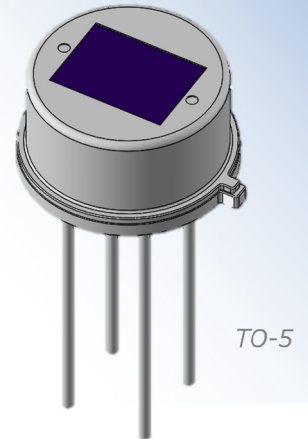


## D3-323-AA

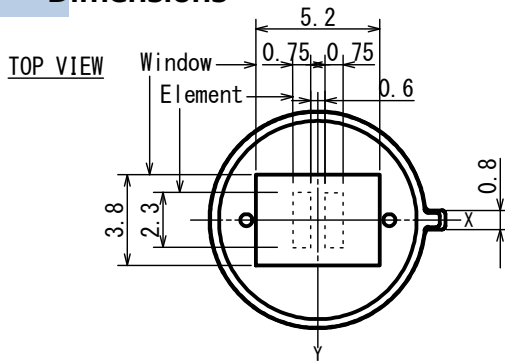
D-Pyro™

- Applications Doorbell, IP Camera, HVAC  
Home appliances, Security

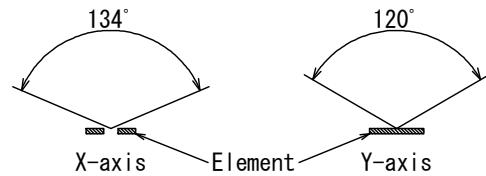
- Feature Wide-angle detection dual sensor  
ASIC build-in type  
(UART·ON/OFF output type)



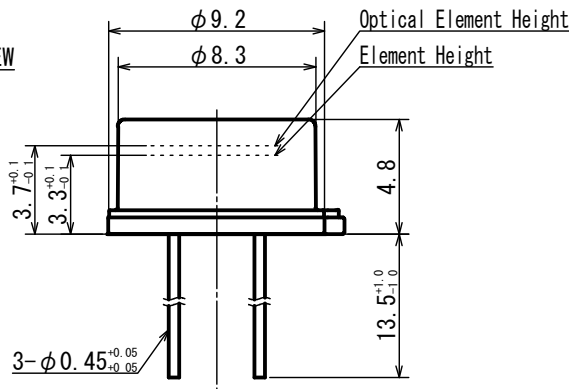
### Dimensions



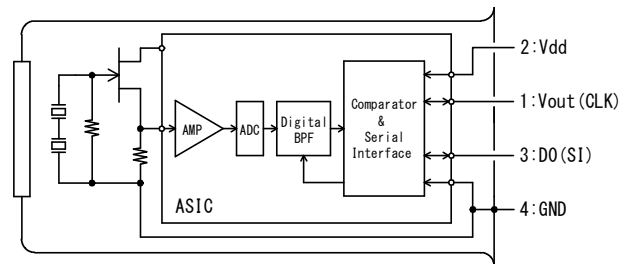
### FOV



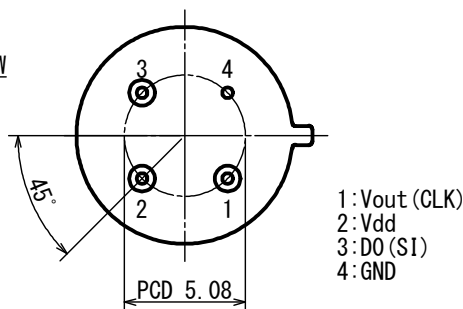
### SIDE VIEW



### Circuit diagram



### BOTTOM VIEW



Tolerance with no specified : +/- 0.2

### ■ Main Parameter

Parameter	Condition	Spec.			Unit
		Min.	Typ.	Max.	
Operating Voltage		1.8		5.5	V
Supply Current	Vdd=3.0V		3	5	μA
Signal Output Bit Number			12		bit
Baud Rate			20		kbps
Operating Temperature		-40		80	°C