

Pyroelectric IR sensor

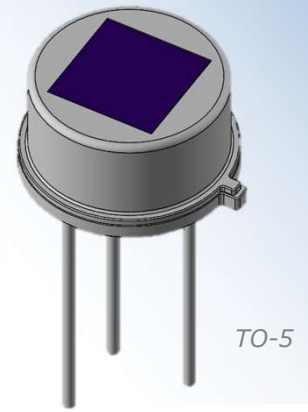


SW-ULP69-20

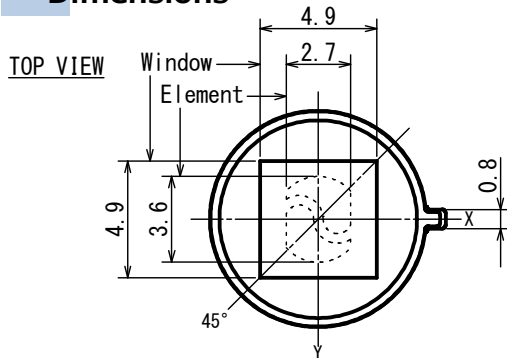
69-Pyro™
Applied for patent

■ Applications Doorbell, IP Camera, HVAC
Home appliances

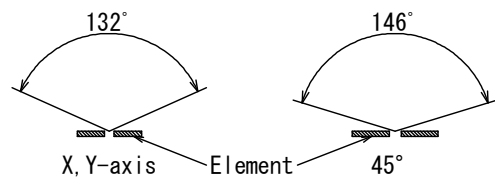
■ Feature Omni-directional dual sensor
(both ceiling mount and wall mount)
Amp build-in type



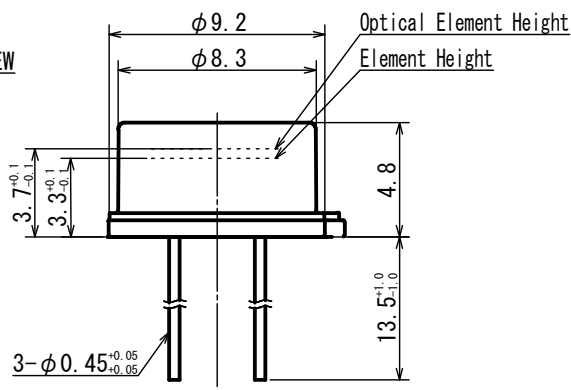
Dimensions



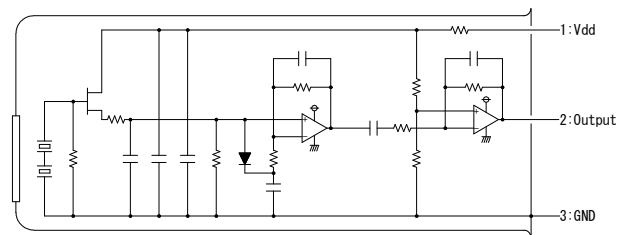
FOV



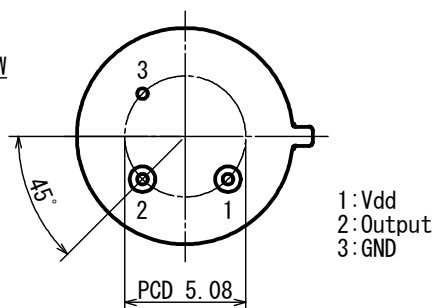
SIDE VIEW



Circuit diagram



BOTTOM VIEW



Tolerance with no specified : +/- 0.2

■ Main Parameter

Parameter	Condition	Spec.			Unit
		Min.	Typ.	Max.	
Operating Voltage		1.8		3.6	V
Offset Voltage			Vdd/2		V
Sensitivity Output		1	2		V
Noise Output			60	200	mV
Operating Temperature		-40		70	°C