

Pyroelectric IR sensor

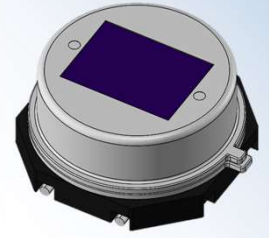


SLM323-511

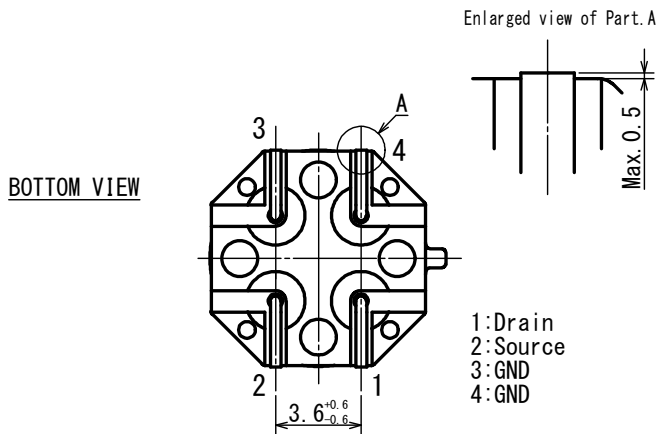
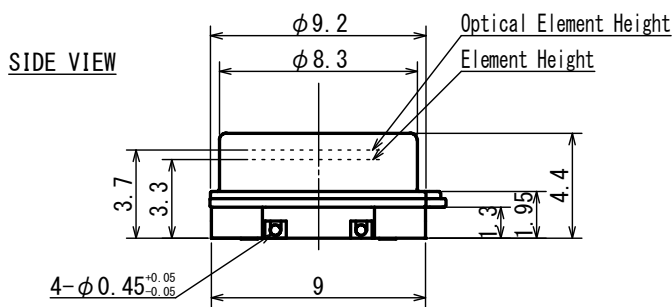
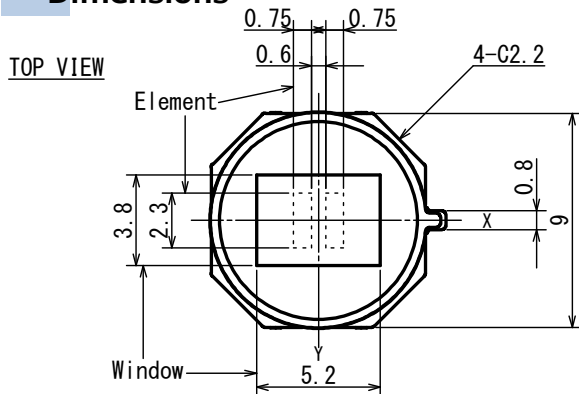
S-Pyro™
Applied for patent

■ Applications Lighting, Doorbell, IP Camera
HVAC, Home appliances

■ Feature Low profile sensor
Surface mount type
High EMC

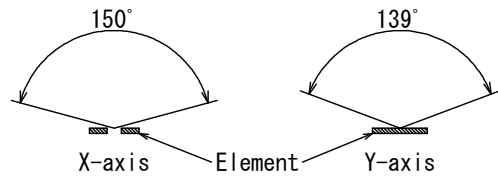


Dimensions

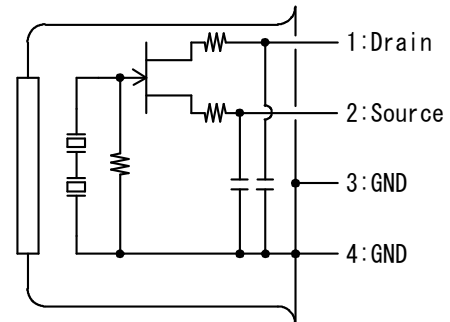


Tolerance with no specified : +/- 0.2

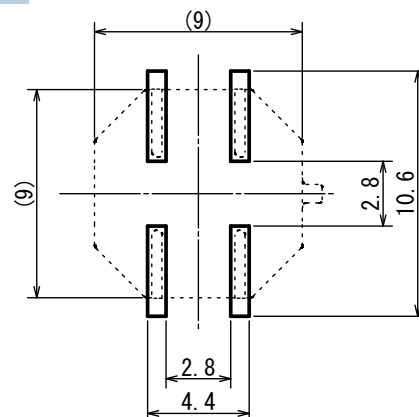
FOV



Circuit diagram



Recommendation Land Size



■ Main Parameter

Parameter	Condition	Spec.			Unit
		Min.	Typ.	Max.	
Operating Voltage		1		15	V
Source Voltage	Vd=5V, Rs=470kΩ, Ta=25°C	0.3		1.4	V
Sensitivity Output	72.5dB, 1Hz, 420K	2	3.5		V
Noise Output	72.5dB		70	250	mV
Operating Temperature		-40		70	°C