

# Pyroelectric IR sensor

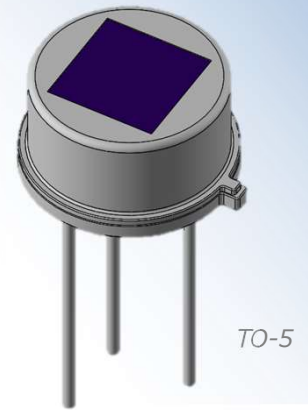


## SFG469-711

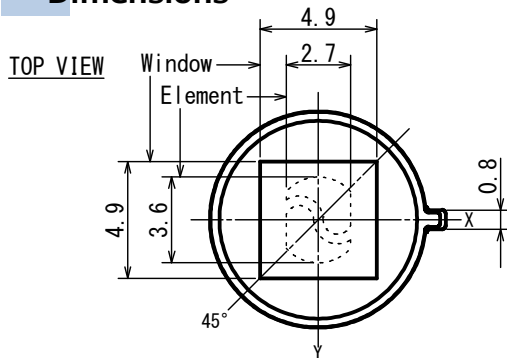
69-Pyro™  
Applied for patent

■ Applications Security

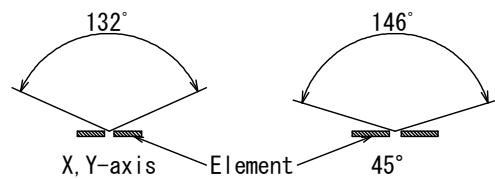
■ Feature Omni-directional dual sensor  
(both ceiling mount and wall mount)  
High EMC



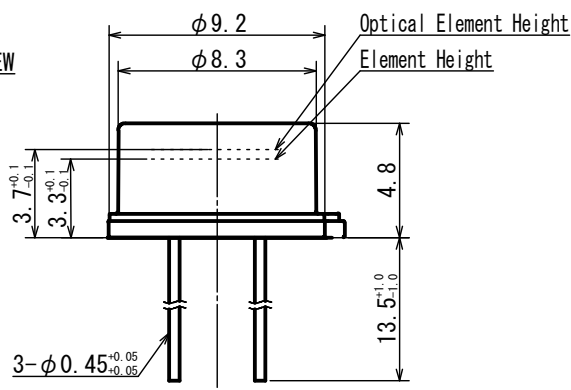
### Dimensions



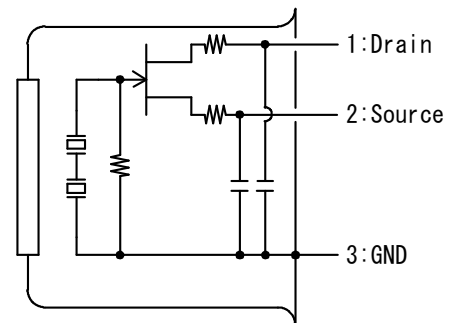
### FOV



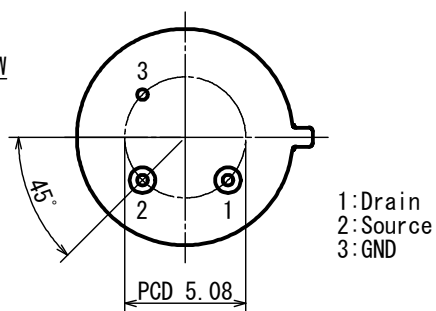
### SIDE VIEW



### Circuit diagram



### BOTTOM VIEW



Tolerance with no specified : +/- 0.2

### ■ Main Parameter

Parameter	Condition	Spec.			Unit
		Min.	Typ.	Max.	
Operating Voltage		1		15	V
Source Voltage	Vd=5V, Rs=470kΩ, Ta=25°C	0.3		1.4	V
Sensitivity Output	72.5dB, 1Hz, 420K	3	5		V
Noise Output	72.5dB		60	200	mV
Operating Temperature		-40		70	°C