

# Pyroelectric IR sensor

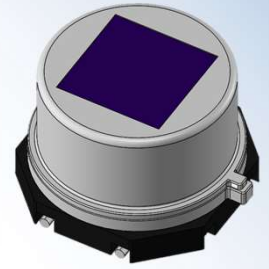


## SBM469-511

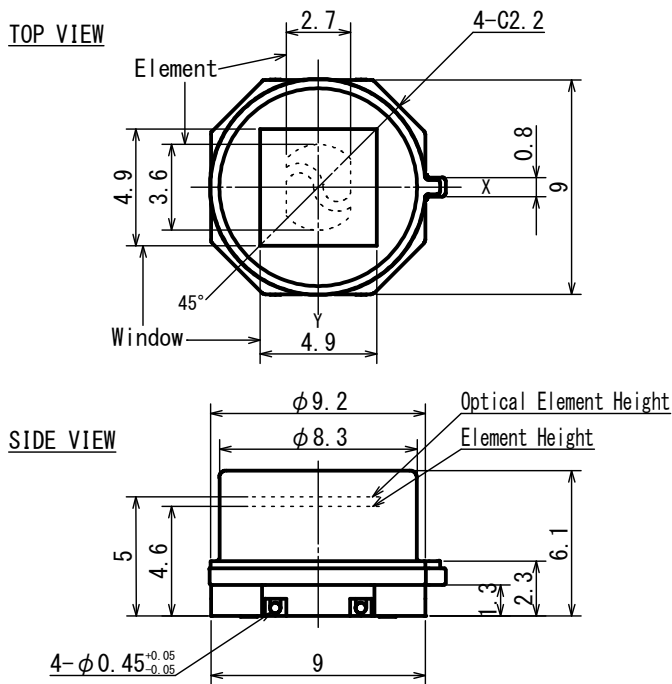
*S-Pyro*™  
*69-Pyro*™  
Applied for patent

■ Applications Lighting, Doorbell, IP Camera  
HVAC, Home appliances

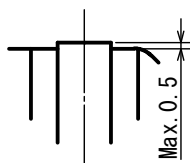
■ Feature Omni-directional dual sensor  
(both ceiling mount and wall mount)  
Surface mount type



### Dimensions



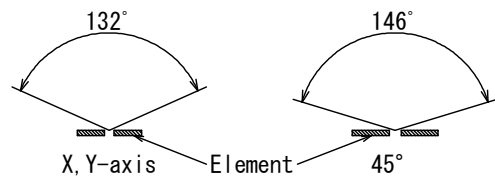
Enlarged view of Part. A



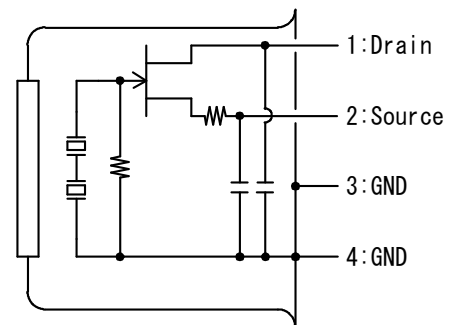
1: Drain  
2: Source  
3: GND  
4: GND

Tolerance with no specified : +/- 0.2

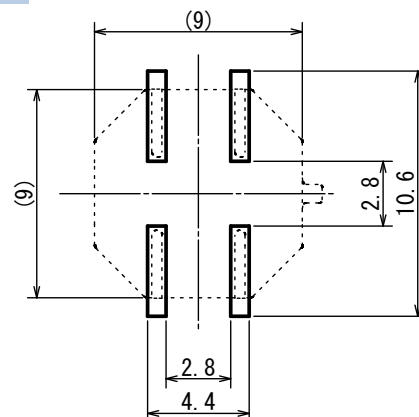
### FOV



### Circuit diagram



### Recommendation Land Size



### ■ Main Parameter

Parameter	Condition	Spec.			Unit
		Min.	Typ.	Max.	
Operating Voltage		1		15	V
Source Voltage	Vd=5V, Rs=470kΩ, Ta=25°C	0.3		1.4	V
Sensitivity Output	72.5dB, 1Hz, 420K	2.2	3.6		V
Noise Output	72.5dB		70	250	mV
Operating Temperature		-40		70	°C