

Pyroelectric IR sensor

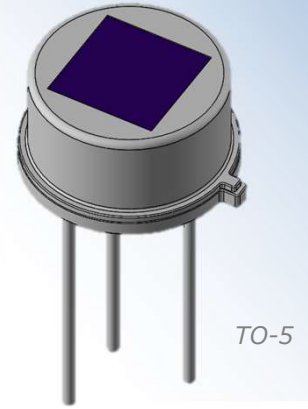


SBG469-711

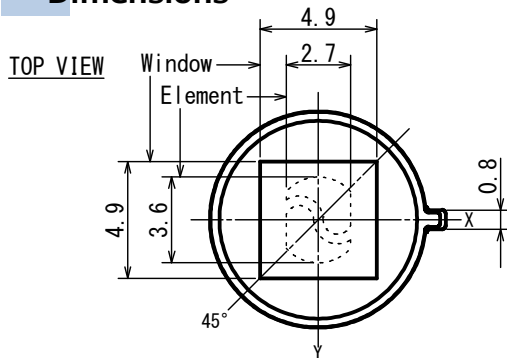
69-Pyro™
Applied for patent

- Applications Lighting, Doorbell, IP Camera
HVAC, Home appliances

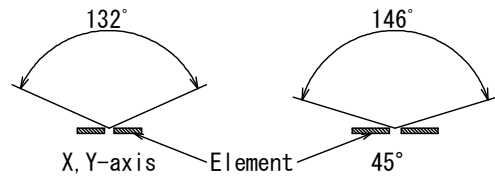
- Feature Omni-directional dual sensor
(both ceiling mount and wall mount)



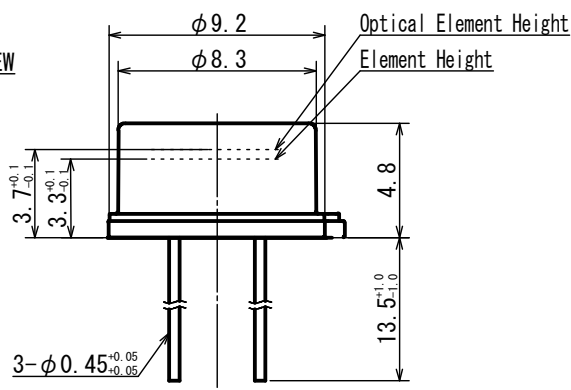
Dimensions



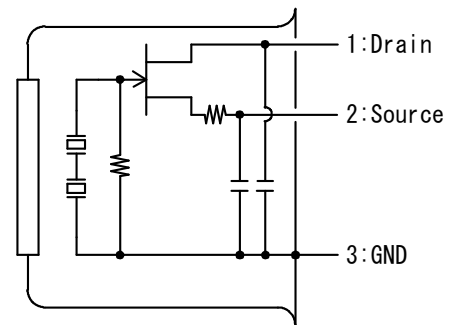
FOV



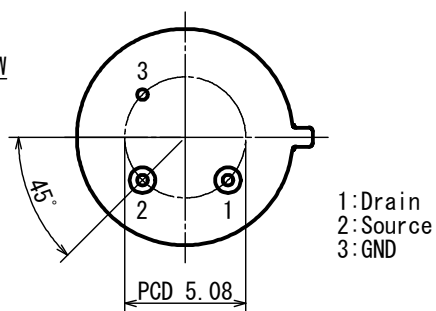
SIDE VIEW



Circuit diagram



BOTTOM VIEW



Tolerance with no specified : +/- 0.2

■ Main Parameter

Parameter	Condition	Spec.			Unit
		Min.	Typ.	Max.	
Operating Voltage		1		15	V
Source Voltage	Vd=5V, Rs=470kΩ, Ta=25°C	0.3		1.4	V
Sensitivity Output	72.5dB, 1Hz, 420K	3	5		V
Noise Output	72.5dB		60	200	mV
Operating Temperature		-40		70	°C