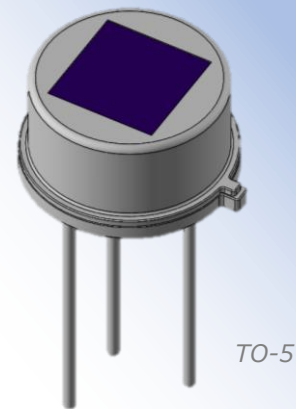


Pyroelectric IR sensor

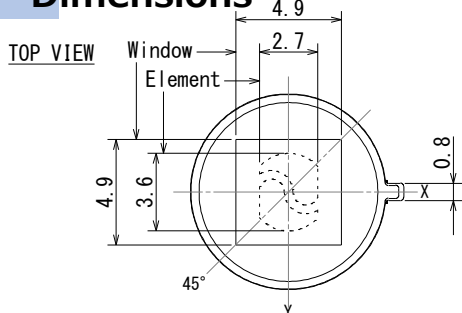
PSH2-469-37AA *69-Pyro™*

■ Applications Lighting, Doorbell, IP Camera

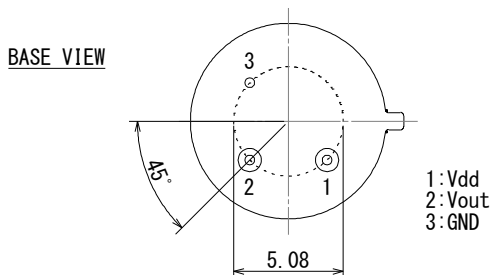
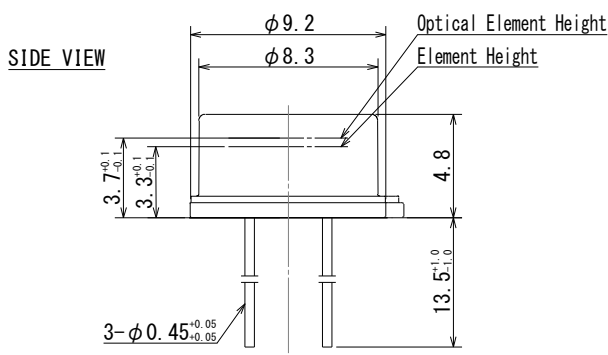
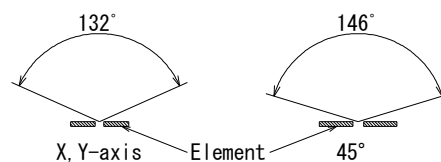
■ Feature **Omni-directional dual sensor**
(both ceiling mount and wall mount)
ASIC build-in type



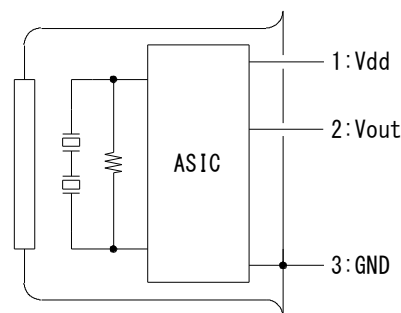
Dimensions



FOV



Circuit diagram



■ Main Parameters

Tolerance without instruction : +/- 0.2

Parameters	Condition	Spec.			Units
		Min.	Typ.	Max.	
Operating Voltage		2.7		3.3	V
Sens Setting			0		V
ON-TIME Setting			0		V
OEN Setting			Vdd		
Operating Temperature		-40		85	°C