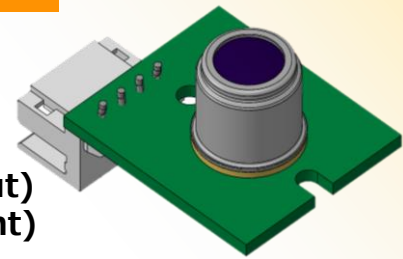


Thermopile sensor Unit

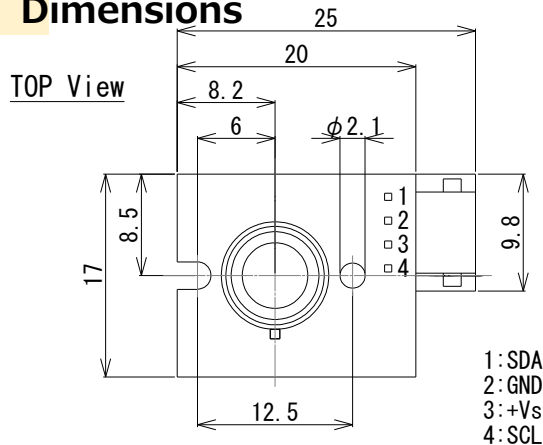
TSUP-A3D01S-CU-50-300

■ Applications Printer (Thermal roller temperature detection)

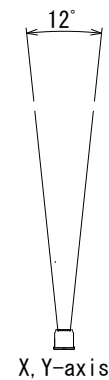
■ Feature Thermopile sensor Unit(I2C output)
Focused detection(Single element)



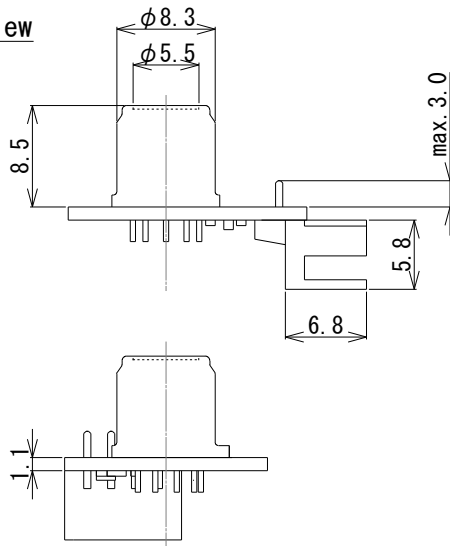
Dimensions



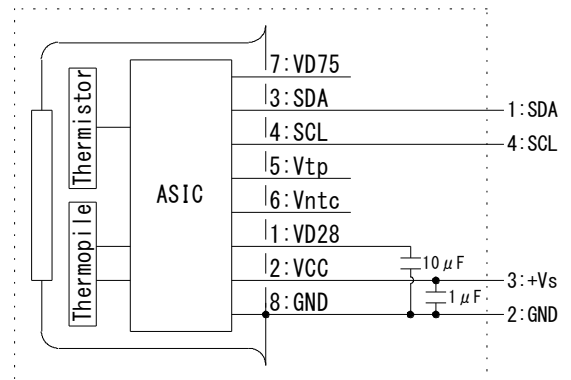
FOV



SIDE View



Circuit diagram



■ Main Parameters

Tolerance without instruction : +/- 0.2

Parameters	Condition	Spec.			Units
		Min.	Typ.	Max.	
Operating Voltage		4.5	5	5.5	V
Detection Temperature		-30		400	°C
Operating Temperature		-20		100	°C
Storage Temperature		-30		105	°C
Accuracy		-3		+3	°C
Time Constant	First time only 49.4msec.	29.4			msec.