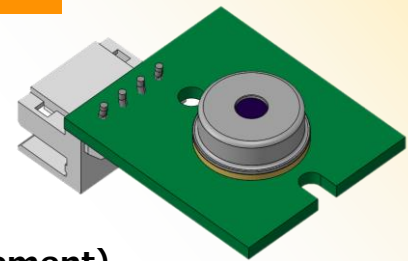


Thermopile sensor Unit

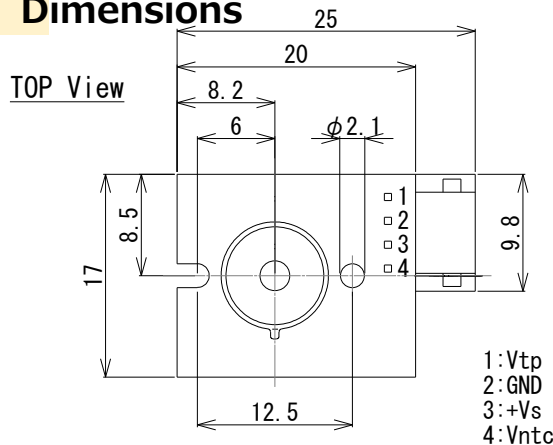
TSUP-A3A01S-FB-33-60

- Applications Air-conditioner
(Floor temperature monitor)
Target temperature -20~60°C

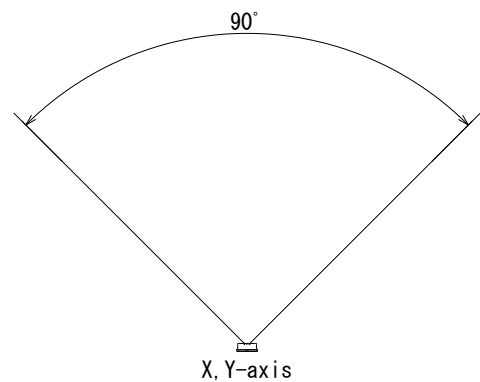
- Feature Thermopile sensor Unit
(Analog output)
Wide-angle detection (Single element)



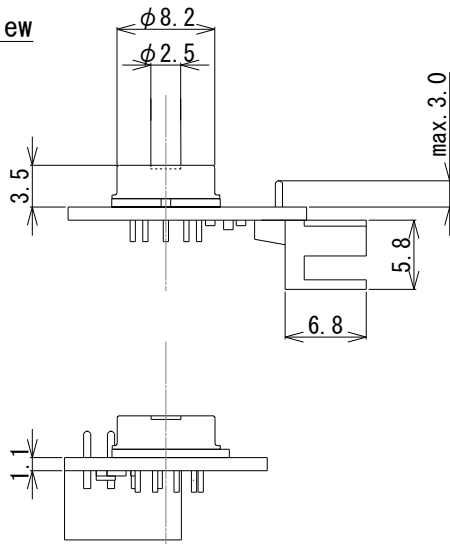
Dimensions



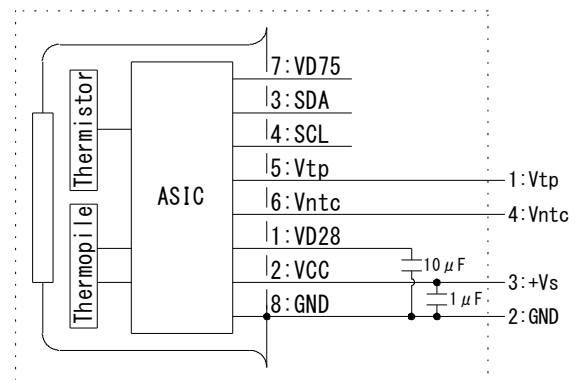
FOV



SIDE View



Circuit diagram



■ Main Parameters

Tolerance without instruction : +/- 0.2

Parameters	Condition	Spec.			Units
		Min.	Typ.	Max.	
Operating Voltage		3	3	3.6	V
Detection Temperature		-20		60	°C
Operating Temperature		-20		100	°C
Storage Temperature		-30		105	°C
Accuracy		-2		+2	°C
Time Constant	First time only 49.4msec.	29.4			msec.