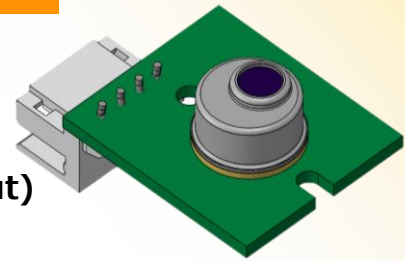


# Thermopile sensor Unit

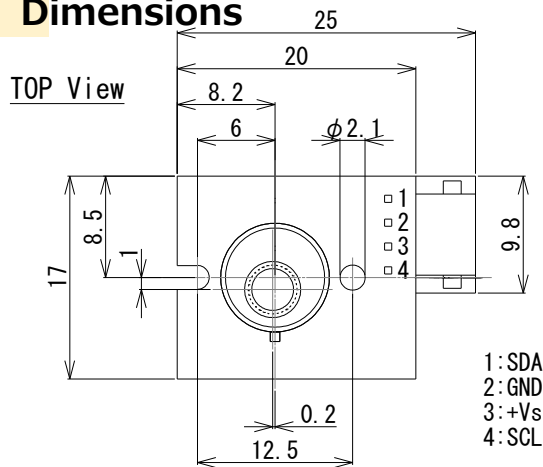
## TSUP-A1D16B-AU-50-120

- Applications **Microwave oven**  
(Food temperature detection)  
Target temperature -20~120°C

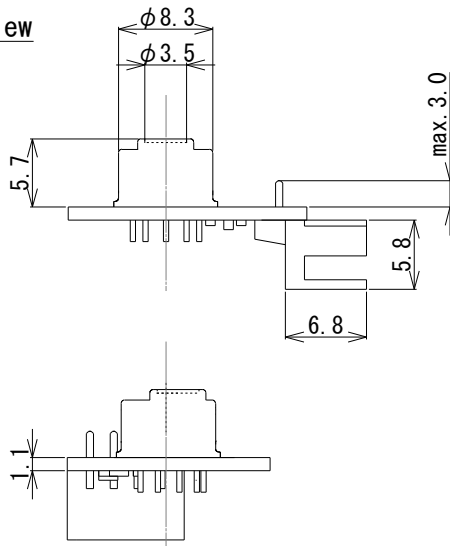
- Feature **Thermopile sensor Unit(I2C output)**  
4 x 4 square element



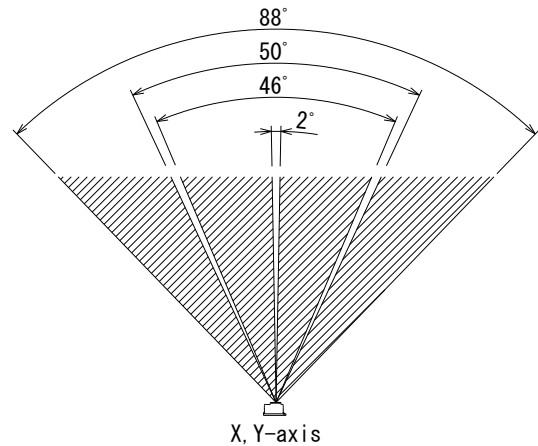
### Dimensions



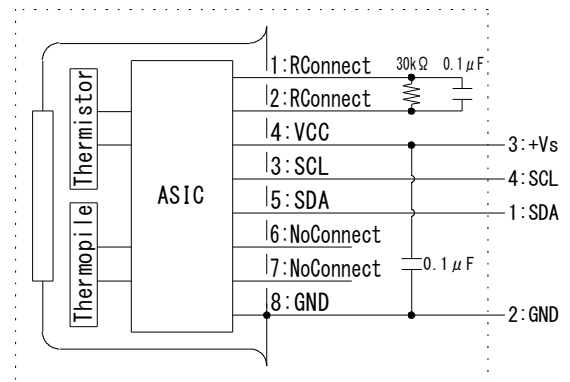
### SIDE View



### FOV



### Circuit diagram



### ■ Main Parameters

Tolerance without instruction : +/- 0.2

Parameters	Condition	Spec.			Units
		Min.	Typ.	Max.	
Operating Voltage		4.5	5	5.5	V
Detection Temperature		-20		20	°C
Operating Temperature		-20		100	°C
Storage Temperature		-30		105	°C
Accuracy		-2		+2	°C
Time Constant				100	msec.