

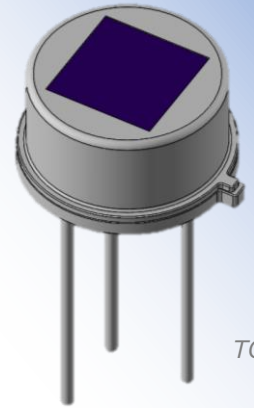
Pyroelectric IR sensor

SW-ULP69-20

69-Pyro™

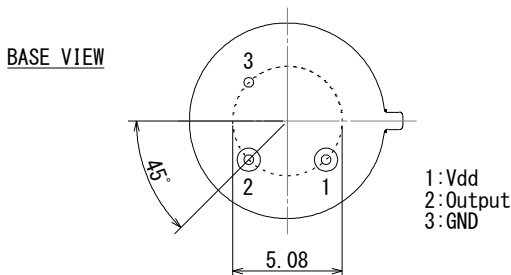
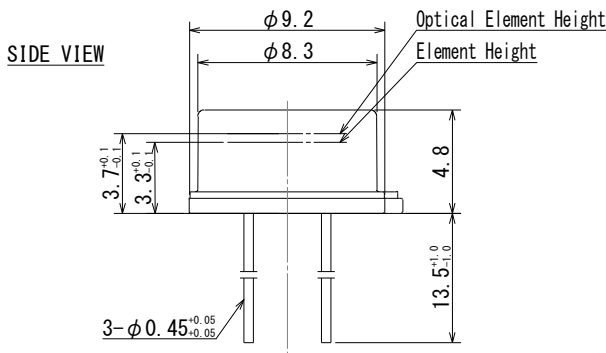
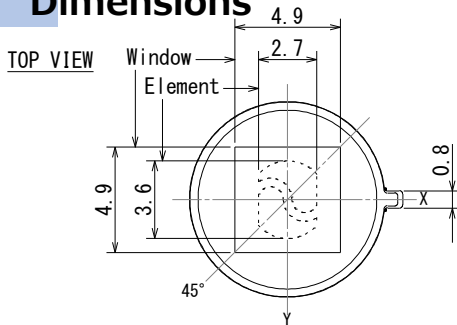
- Applications Doorbell, IP Camera, HVAC Home appliances

- Feature Omni-directional dual sensor (both ceiling mount and wall mount) Amp build-in type



TO-5

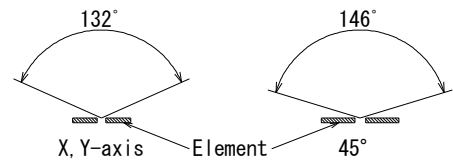
Dimensions



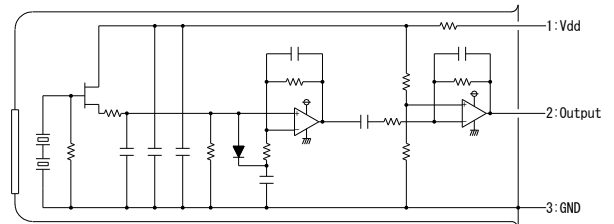
1: Vdd
2: Output
3: GND

Tolerance without instruction : +/- 0.2

FOV



Circuit diagram



Main Parameters

Parameters	Condition	Spec.			Units
		Min.	Typ.	Max.	
Operating Voltage		1.8		3.6	V
Offset Voltage			Vdd/2		V
Sensitivy Output		1	2		V
Noise Output			60	200	mV
Operating Temperature		-40		70	°C