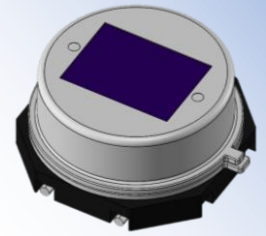


Pyroelectric IR sensor

SLM323-511

S-Pyro™

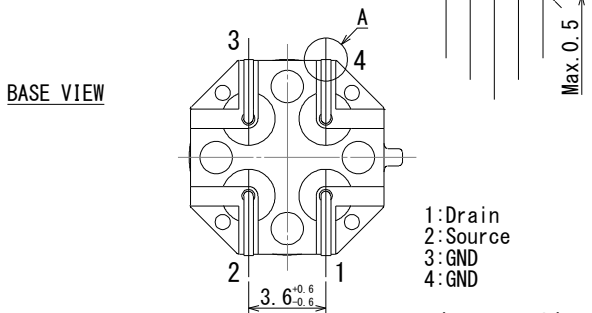
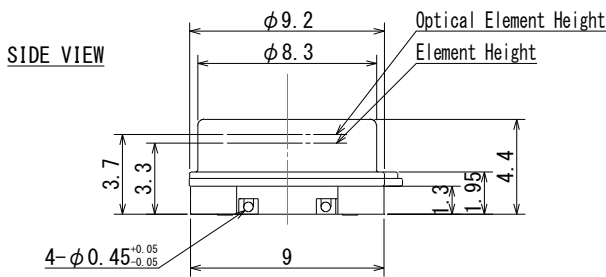
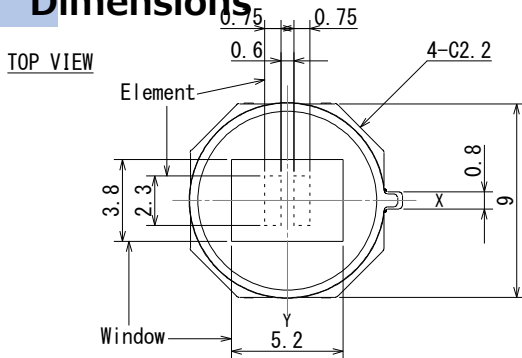
- Applications Lighting, Doorbell, IP Camera
HVAC, Home appliances



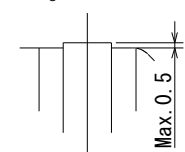
- Feature Low profile sensor
Surface mount type
High EMC

TO-5

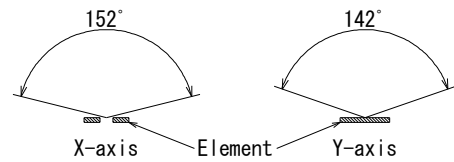
Dimensions



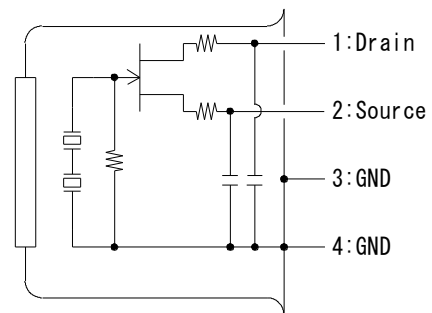
Enlarged view of Part. A



FOV



Circuit diagram



■ Main Parameters

Tolerance without instruction : +/- 0.2

| Parameters | Condition | Spec. | | | Units |
|-----------------------|--------------------------|-------|------|------|-------|
| | | Min. | Typ. | Max. | |
| Operating Voltage | | 1 | | 15 | V |
| Source Voltage | Vd=5V, Rs=470kΩ, Ta=25°C | 0.3 | | 1.4 | V |
| Sensitivety Output | 72.5dB, 1Hz, 420K | 2 | 3.5 | | V |
| Noise Output | 72.5dB | | 70 | 250 | mV |
| Operating Temperature | | -40 | | 70 | °C |