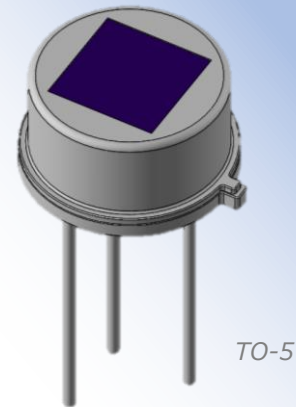


# Pyroelectric IR sensor

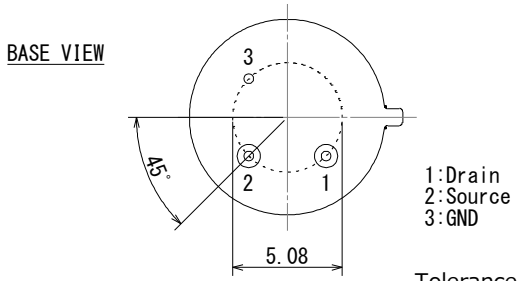
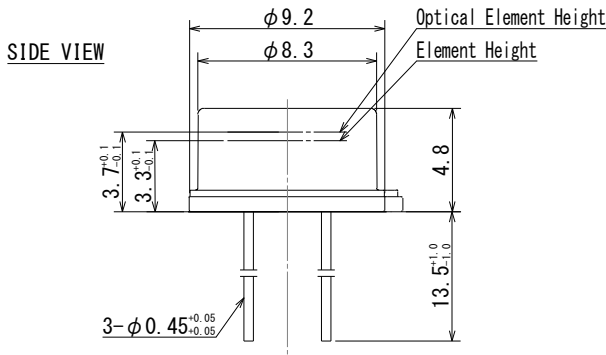
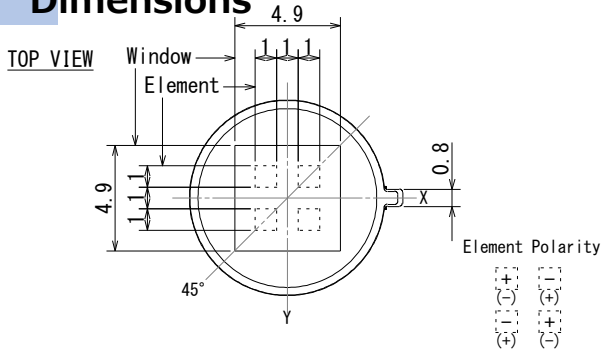
## SEG446-711

■ Applications Lighting, Doorbell, IP Camera  
HVAC, Home appliances

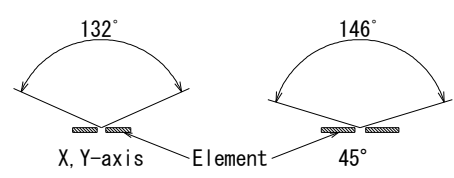
■ Feature Omni-directional 4-element and  
1-channel sensor (for ceiling mount)



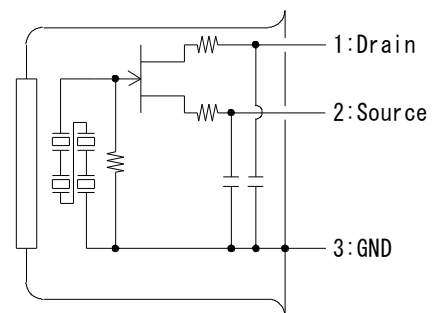
### Dimensions



### FOV



### Circuit diagram



### ■ Main Parameters

Tolerance without instruction : +/- 0.2

Parameters	Condition	Spec.			Units
		Min.	Typ.	Max.	
Operating Voltage		1		15	V
Source Voltage	Vd=5V, Rs=470kΩ, Ta=25°C	0.3		1.4	V
Sensitivety Output	72.5dB, 1Hz, 420K	4.5	6.5		V
Noise Output	72.5dB		150	300	mV
Operating Temperature		-40		70	°C