

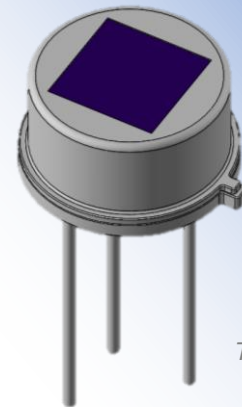
# Pyroelectric IR sensor

## SBG469-711

69-Pyro™

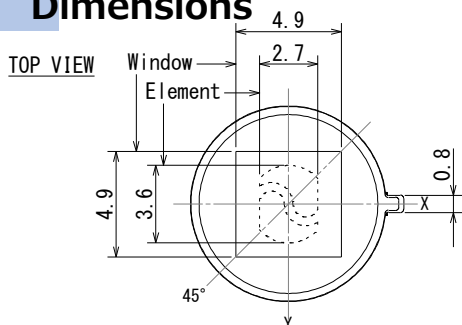
- Applications Lighting, Doorbell, IP Camera  
HVAC, Home appliances

- Feature Omni-directional dual sensor  
(both ceiling mount and wall mount)

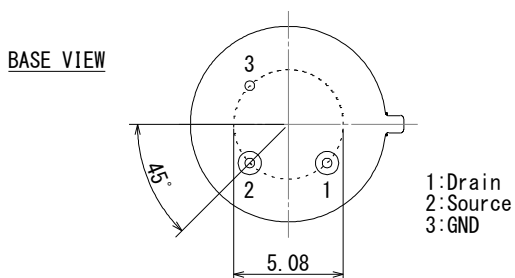
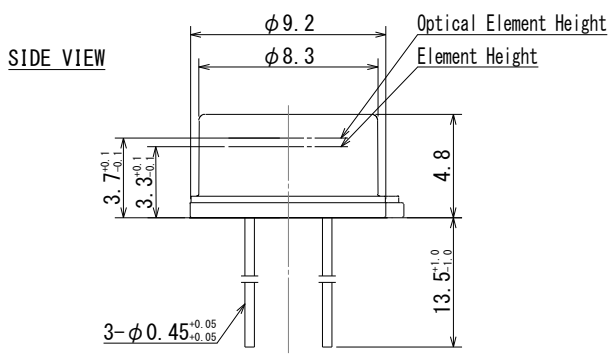
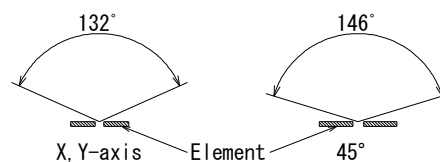


TO-5

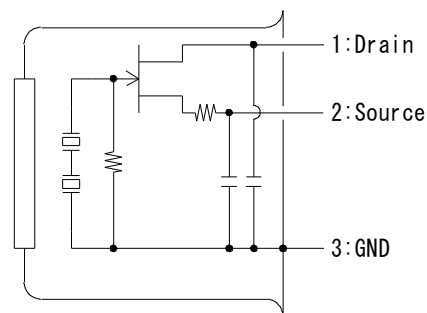
### Dimensions



### FOV



### Circuit diagram



### Main Parameters

Tolerance without instruction : +/- 0.2

Parameters	Condition	Spec.			Units
		Min.	Typ.	Max.	
Operating Voltage		1		15	V
Source Voltage	Vd=5V, Rs=470kΩ, Ta=25°C	0.3		1.4	V
Sensitivety Output	72.5dB, 1Hz, 420K	3	5		V
Noise Output	72.5dB		60	200	mV
Operating Temperature		-40		70	°C