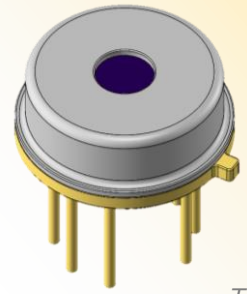


Thermopile sensor

A3D01S-FB-50-60

- Applications Air-conditioner
(Floor temperature monitor)
Target temperature -20~60°C

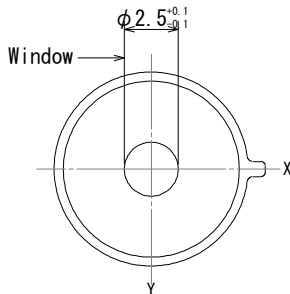
- Feature ASIC built-in thermopile(I2C output)
Wide-angle detection(Single element)



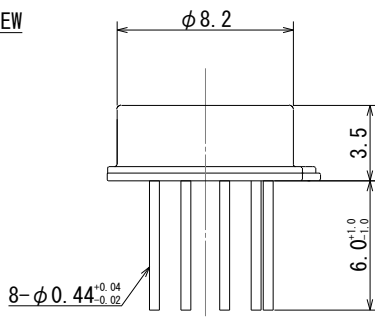
TO-5

Dimensions

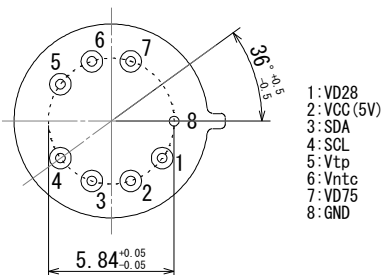
TOP VIEW



SIDE VIEW



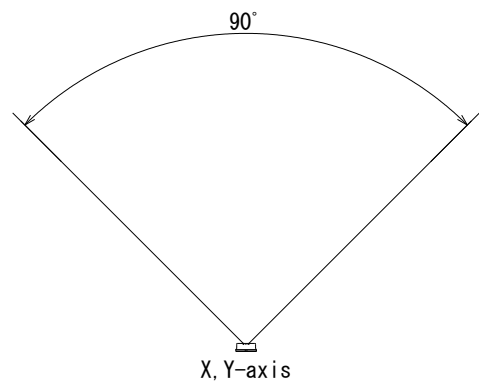
BASE VIEW



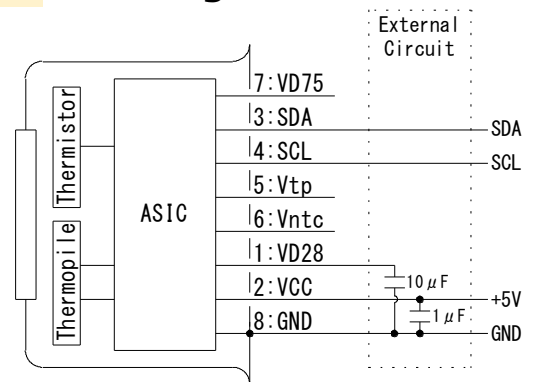
- 1: VD28
- 2: VCC (5V)
- 3: SDA
- 4: SCL
- 5: Vtp
- 6: Vntc
- 7: VD75
- 8: GND

Tolerance without instruction : +/- 0.2

FOV



Circuit diagram



■ Main Parameters

Parameters	Condition	Spec.			Units
		Min.	Typ.	Max.	
Operating Voltage		4.5	5	5.5	V
Detection Temperature		-30		400	°C
Operating Temperature		-20		100	°C
Storage Temperature		-30		105	°C
Accuracy		-2		+2	°C
Time Constant	First time only 49.4msec.	29.4			msec.