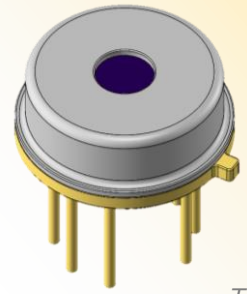


# Thermopile sensor

## A3A01S-FB-33-60

- Applications Air-conditioner  
(Floor temperature monitor)  
Target temperature -20~60°C

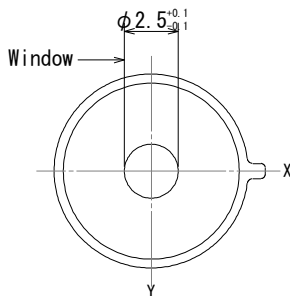
- Feature ASIC built-in thermopile(Analog output)  
Wide-angle detection(Single element)



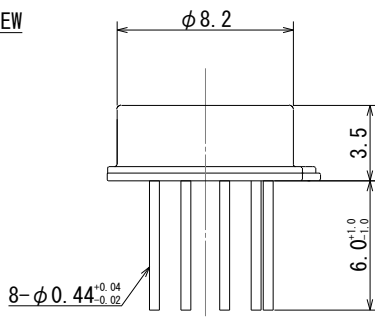
TO-5

### Dimensions

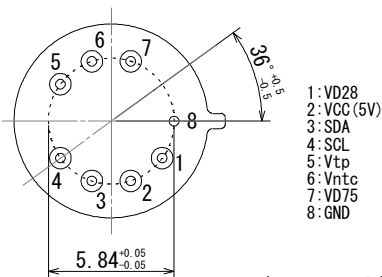
TOP VIEW



SIDE VIEW

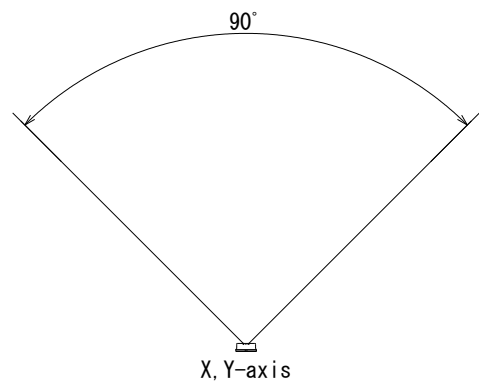


BASE VIEW

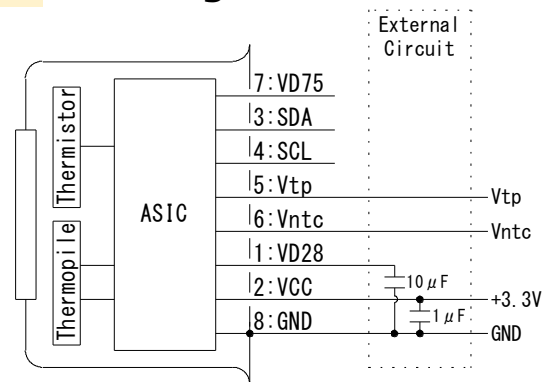


Tolerance without instruction : +/- 0.2

### FOV



### Circuit diagram



### ■ Main Parameters

Parameters	Condition	Spec.			Units
		Min.	Typ.	Max.	
Operating Voltage		3	3.3	3.6	V
Detection Temperature		-20		60	°C
Operating Temperature		-20		100	°C
Storage Temperature		-30		105	°C
Accuracy		-2		+2	°C
Time Constant	First time only 49.4msec.	29.4			msec.