

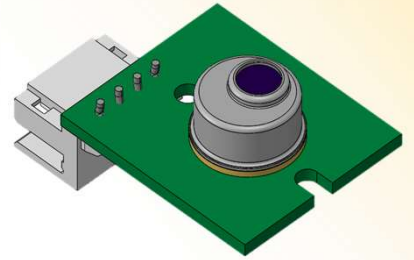
# Thermopile sensor unit



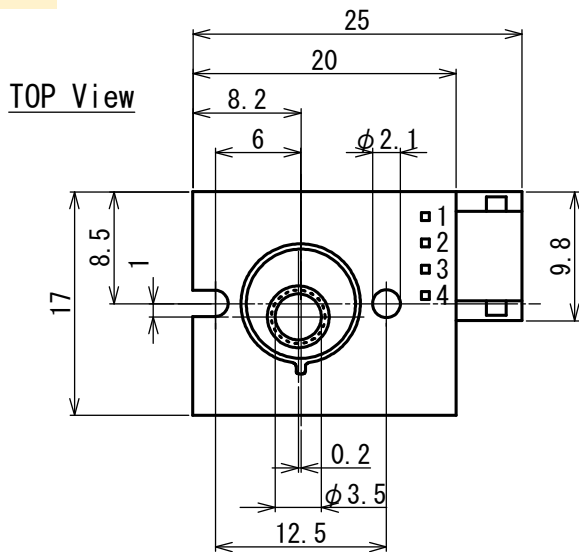
## TSUP-A1D16B-AU-50-120

- Applications Microwave oven  
(Food temperature detection)  
Target temperature -20~120°C

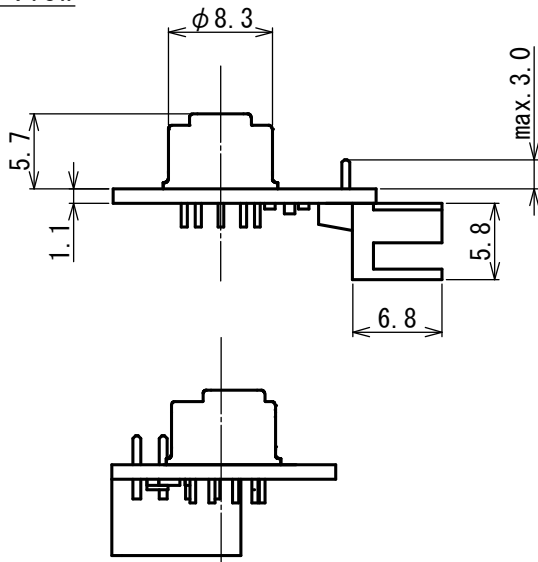
- Feature Thermopile sensor Unit (I2C output)  
4 x 4 square element



### Dimensions

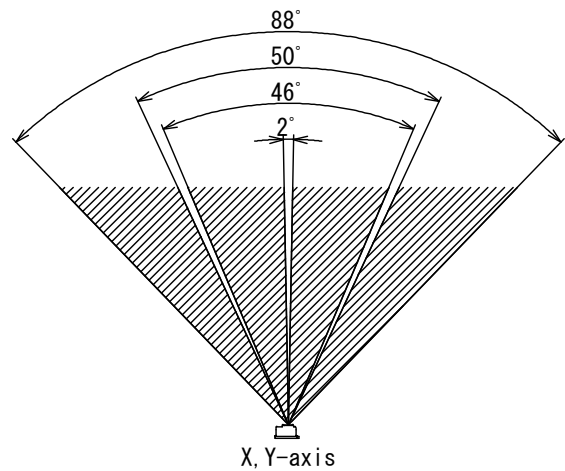


### SIDE View

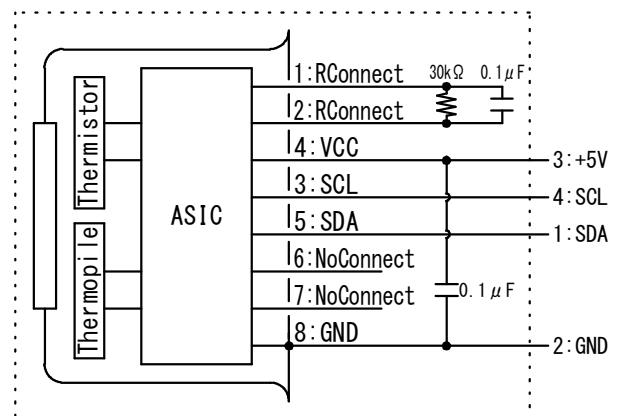


Tolerance with no specified : +/- 0.2

### FOV



### Circuit diagram



### ■ Main Parameter

Parameter	Condition	Spec.			Unit
		Min.	Typ.	Max.	
Operating Voltage		4.5	5	5.5	V
Detection Temperature		-20		120	°C
Operating Temperature		-20		100	°C
Storage Temperature		-30		105	°C
Accuracy		-2		+2	°C
Time Constant				200	msec.