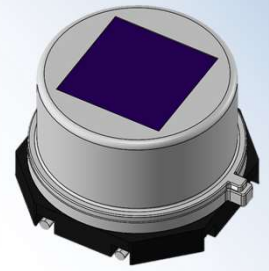


# Pyroelectric IR sensor



## SUM469-20

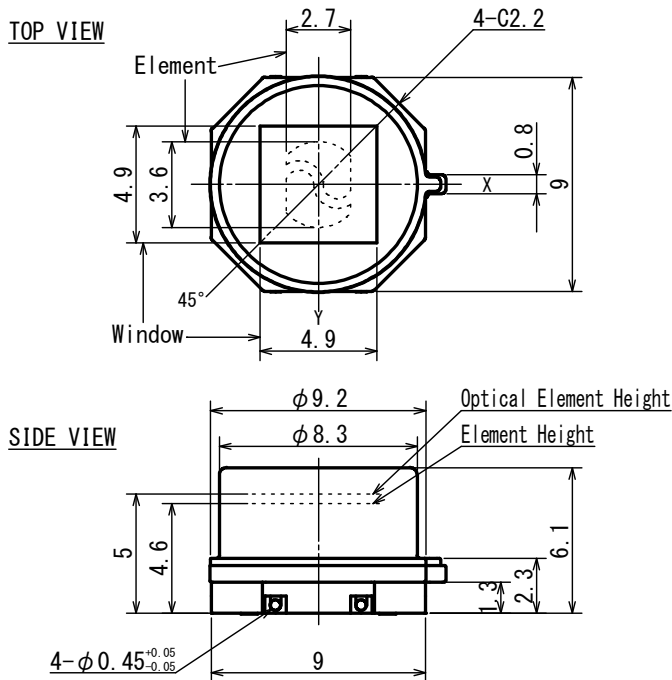
*S-Pyro*™  
*69-Pyro*™  
Applied for patent



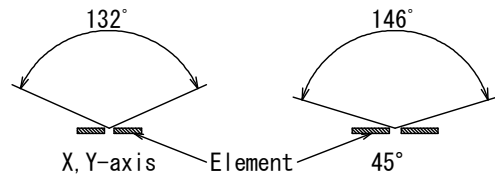
■ Applications Doorbell, IP Camera  
HVAC, Home appliances

■ Feature Omni-directional dual sensor  
(both ceiling mount and wall mount)  
Surface mount type  
Amp build-in type

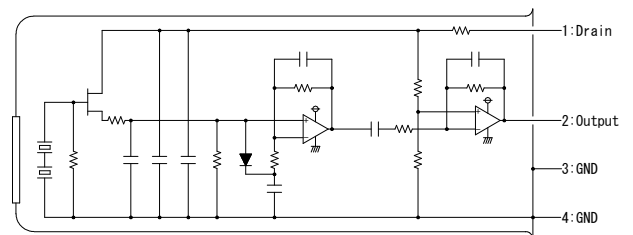
### Dimensions



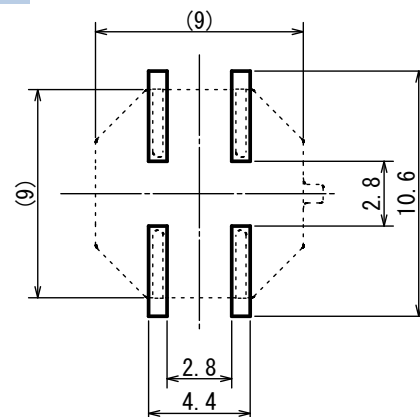
### FOV



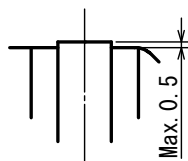
### Circuit diagram



### Recommendation Land Size



Enlarged view of Part. A



1: Drain  
2: Output  
3: GND  
4: GND

Tolerance with no specified : +/- 0.2

### ■ Main Parameter

Parameter	Condition	Spec.			Unit
		Min.	Typ.	Max.	
Operating Voltage		1.8		3.6	V
Offset Voltage			Vdd/2		V
Sensitivity Output		0.75	1.5		V
Noise Output			100	250	mV
Operating Temperature		-40		70	°C