

Pyroelectric IR sensor

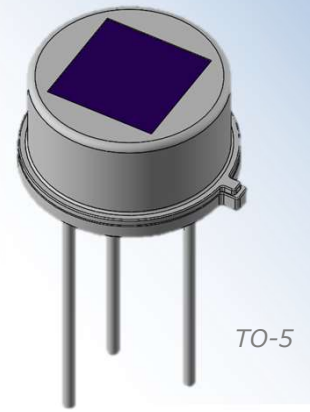


PSH2-469-37AA

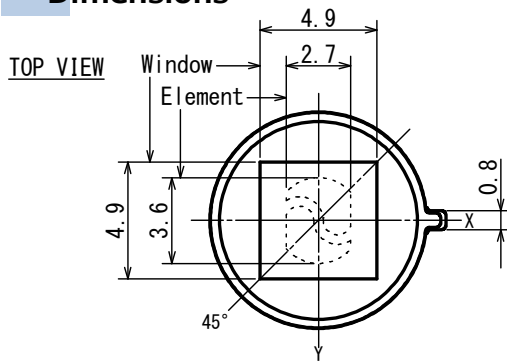
69-Pyro™
Applied for patent

■ Applications Lighting, Doorbell, IP Camera

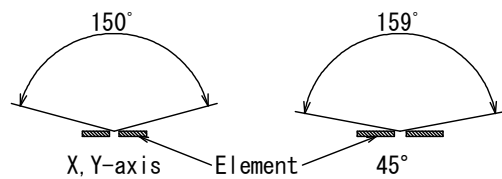
■ Feature Omni-directional dual sensor
(both ceiling mount and wall mount)
ASIC build-in type



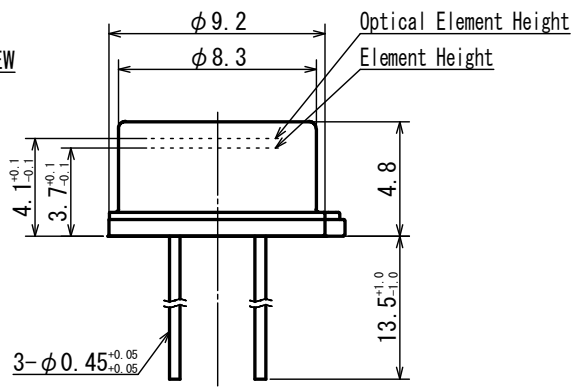
Dimensions



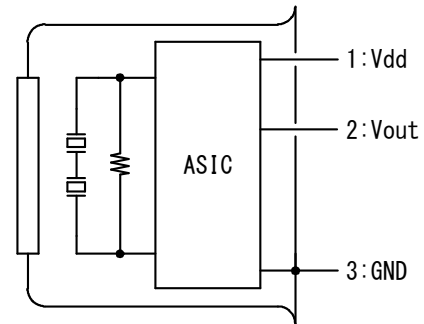
FOV



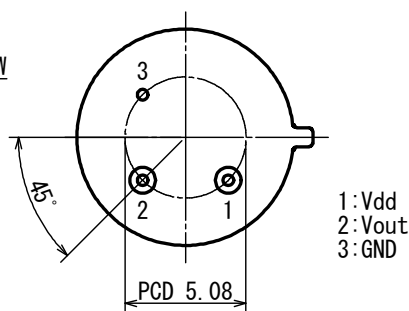
SIDE VIEW



Circuit diagram



BOTTOM VIEW



Tolerance with no specified : +/- 0.2

■ Main Parameter

Parameter	Condition	Spec.			Unit
		Min.	Typ.	Max.	
Operating Voltage		2.7		3.3	V
Sens Setting			0		V
ON-TIME Setting			0		sec.
OEN Setting			Vdd		
Operating Temperature		-40		85	°C