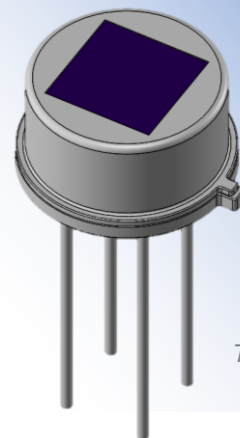


# Pyroelectric IR sensor

## PSH5-469-47AA *69-Pyro*™

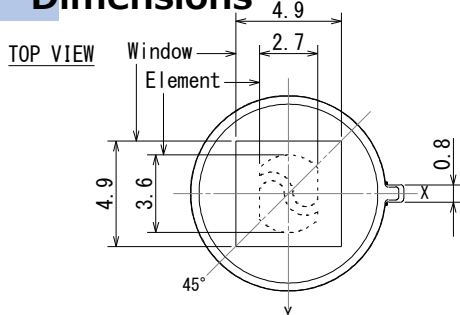
■ Applications Lighting, Doorbell, IP Camera

■ Feature **Omni-directional dual sensor  
(both ceiling mount and wall mount)  
ASIC build-in type**

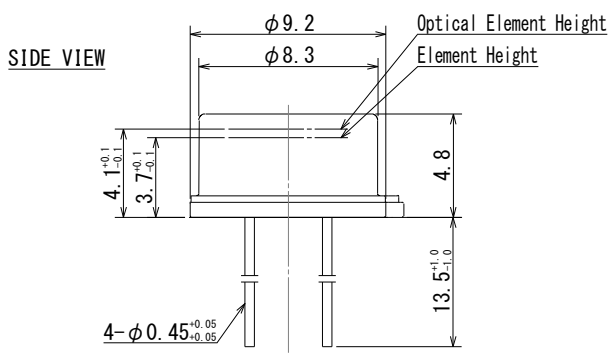
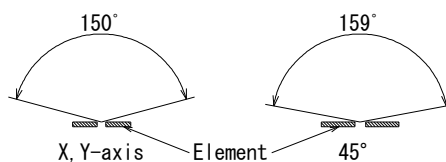


TO-5

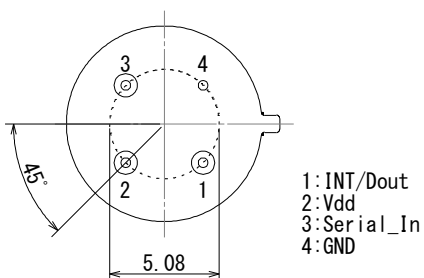
### Dimensions



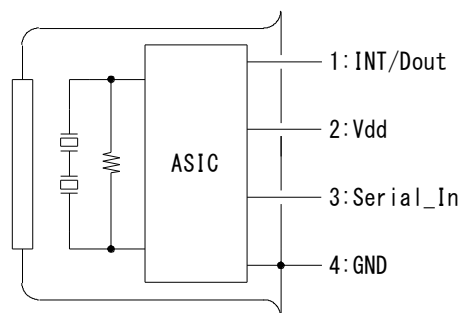
### FOV



### BASE VIEW



### Circuit diagram



### ■ Main Parameters

Tolerance without instruction : +/- 0.2

Parameters	Condition	Spec.			Units
		Min.	Typ.	Max.	
Operating Voltage		1.7		3.6	V
ADC Resolution			14		bits
Sensitivy Output		1400	1680		μV
Noise Output				140	μV
Operating Temperature		-40		85	°C