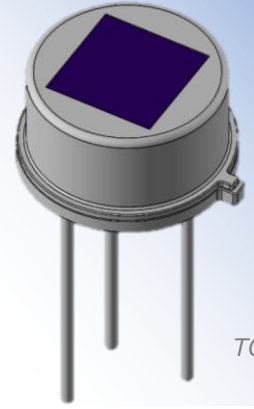


Pyroelectric IR sensor

PSH3-469-37AA *69-Pyro™*

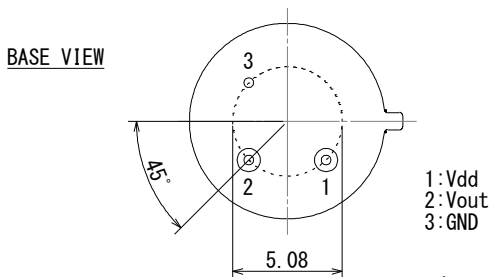
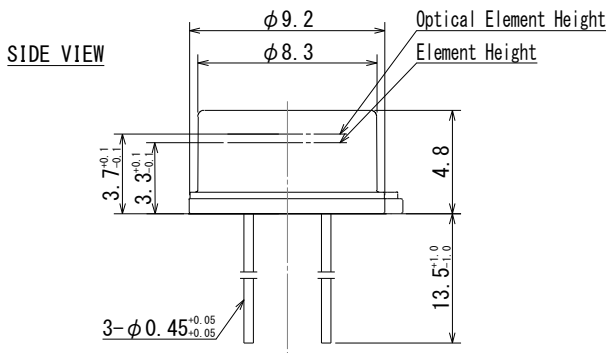
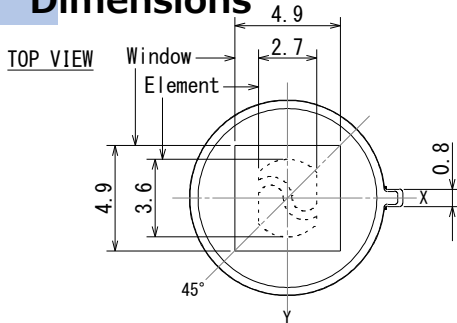
■ Applications Lighting, Doorbell, IP Camera

■ Feature **Omni-directional dual sensor**
(both ceiling mount and wall mount)
ASIC build-in type



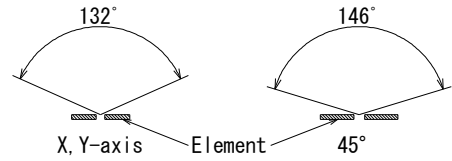
TO-5

Dimensions

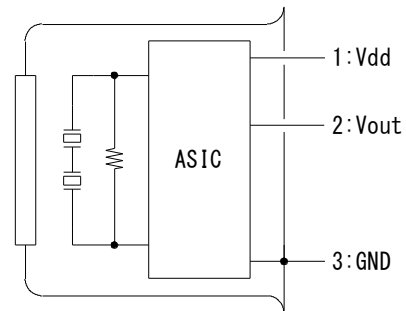


Tolerance without instruction : +/- 0.2

FOV



Circuit diagram



■ Main Parameters

Parameters	Condition	Spec.			Units
		Min.	Typ.	Max.	
Operating Voltage		2.7		3.6	V
ADC Resolution			14		bits
Sensitivy Output		1400	1680		μV
Noise Output				140	μV
Operating Temperature		-40		85	°C