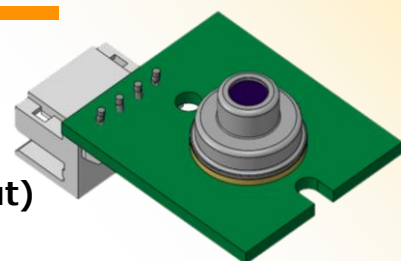


# Thermopile sensor Unit

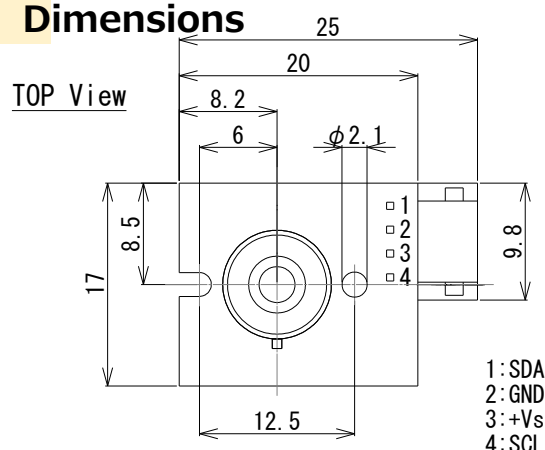
## TSUP-A3D01S-AU-50-120

- Applications Microwave oven  
(Food temperature detection)  
Target temperature -20~120°C

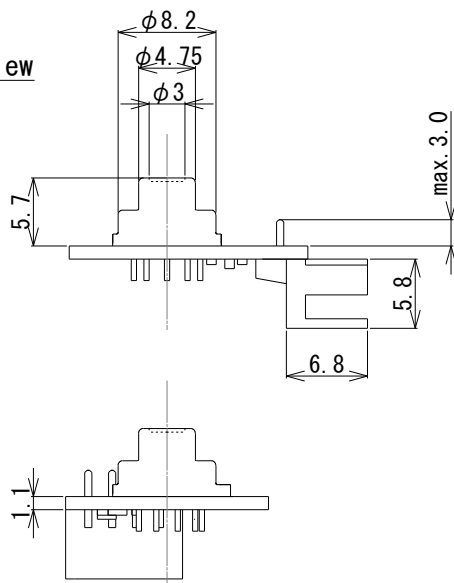
- Feature Thermopile sensor Unit(I2C output)  
Single element



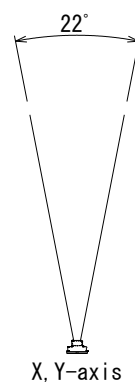
### Dimensions



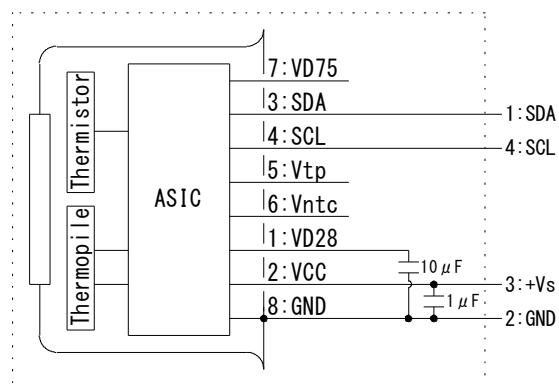
### SIDE View



### FOV



### Circuit diagram



### ■ Main Parameters

Tolerance without instruction : +/- 0.2

Parameters	Condition	Spec.			Units
		Min.	Typ.	Max.	
Operating Voltage		4.5	5	5.5	V
Detection Temperature		-30		400	°C
Operating Temperature		-20		100	°C
Storage Temperature		-30		105	°C
Accuracy		-2		+2	°C
Time Constant	First time only 49.4msec.	29.4			msec.