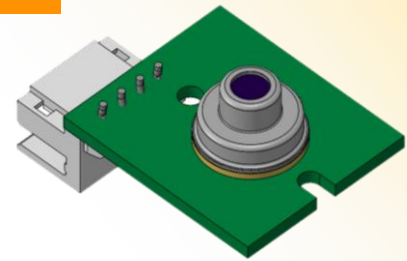


Thermopile sensor Unit

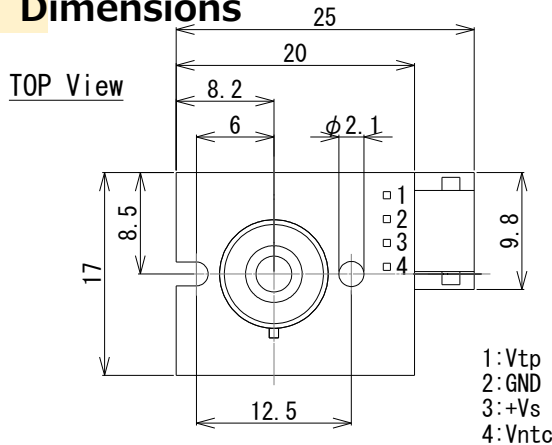
TSUP-A3A01S-AU-33-120

- Applications **Microwave oven**
(Food temperature detection)
Target temperature -20~120°C

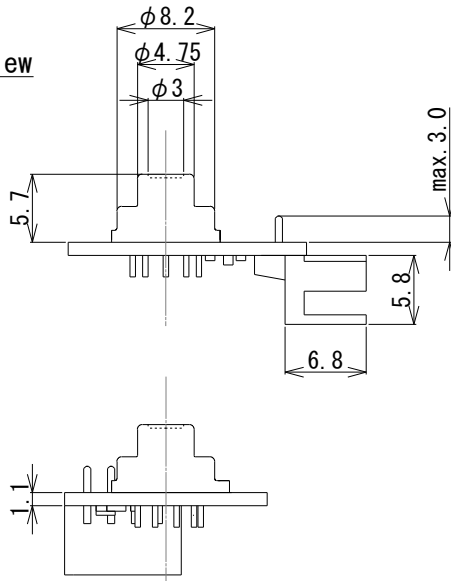


- Feature **Thermopile sensor Unit**
(Analog output)
Single element

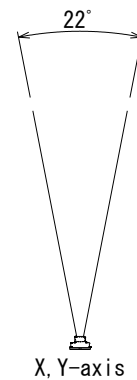
Dimensions



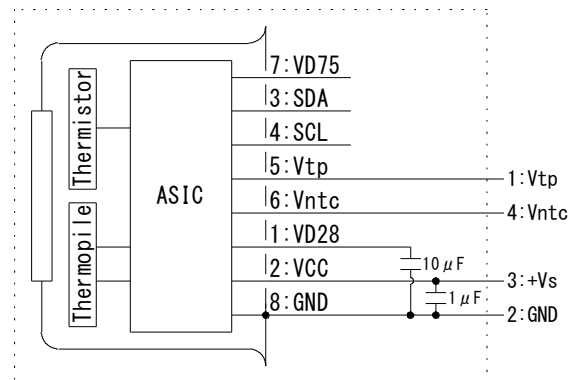
SIDE View



FOV



Circuit diagram



■ Main Parameters

Tolerance without instruction : +/- 0.2

Parameters	Condition	Spec.			Units
		Min.	Typ.	Max.	
Operating Voltage		3	3.3	3.6	V
Detection Temperature		-20		120	°C
Operating Temperature		-20		100	°C
Storage Temperature		-30		105	°C
Accuracy		-2		+2	°C
Time Constant	First time only 49.4msec.	29.4			msec.