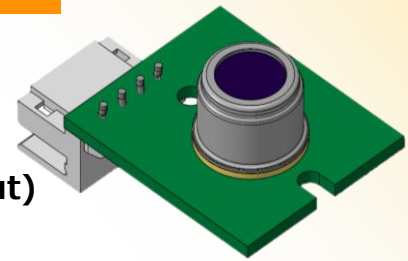


Thermopile sensor Unit

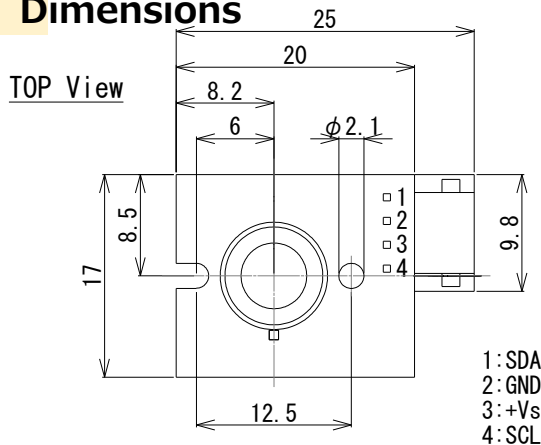
TSUP-A1D08A-BU-50-60

- Applications Air-conditioner
(Floor temperature monitor)
Target temperature -20~60°C

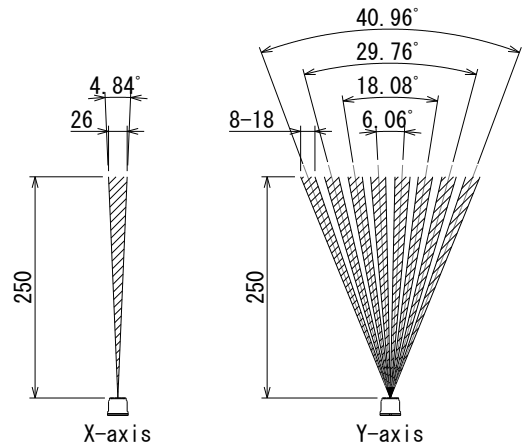
- Feature Thermopile sensor Unit(I2C output)
8 array element



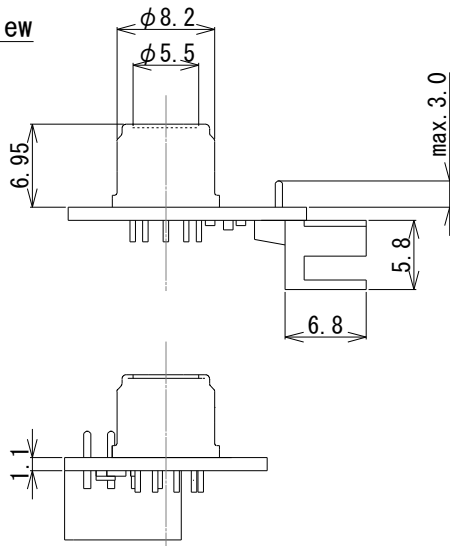
Dimensions



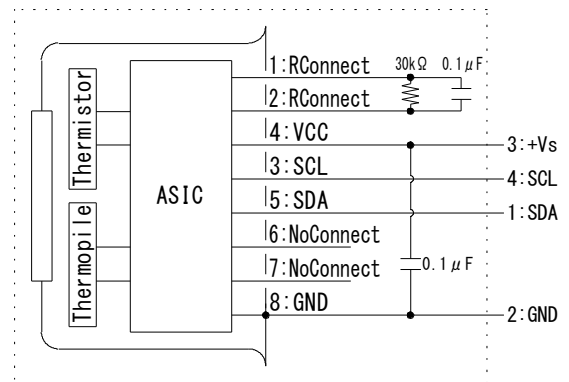
FOV



SIDE View



Circuit diagram



■ Main Parameters

Tolerance without instruction : +/- 0.2

Parameters	Condition	Spec.			Units
		Min.	Typ.	Max.	
Operating Voltage		4.5	5	5.5	V
Detection Temperature		-20		60	°C
Operating Temperature		-20		100	°C
Storage Temperature		-30		105	°C
Accuracy		-2		+2	°C
Time Constant				100	msec.