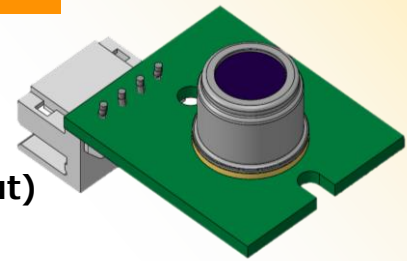


Thermopile sensor Unit

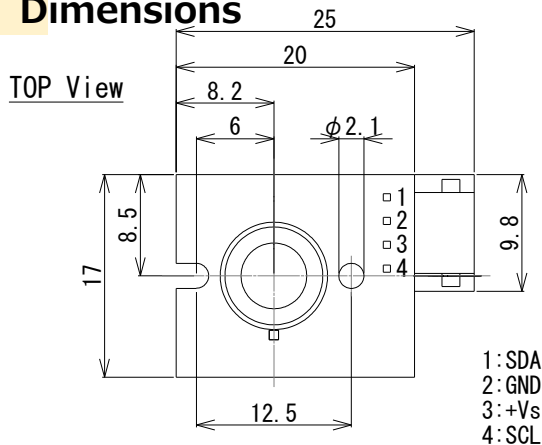
TSUP-A1D08A-BU-50-120

- Applications Microwave oven
(Food temperature detection)
Target temperature -20~120°C

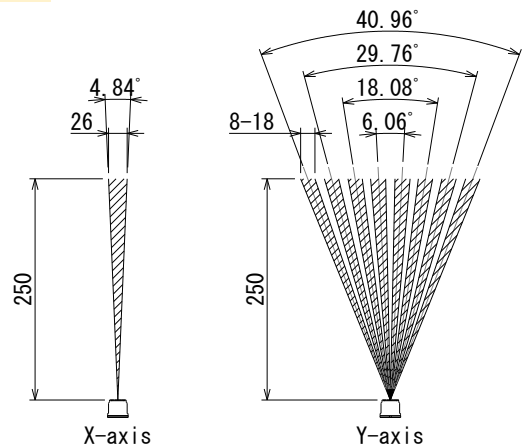
- Feature Thermopile sensor Unit(I2C output)
8 array element



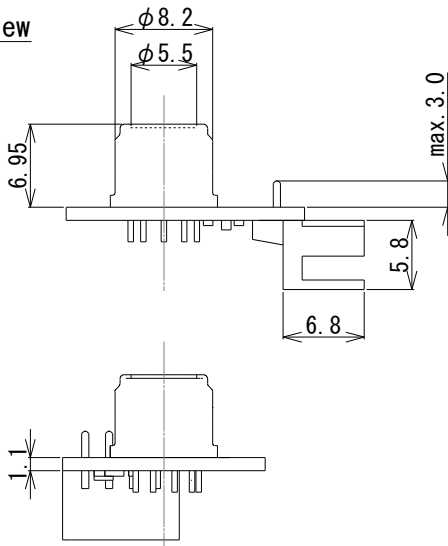
Dimensions



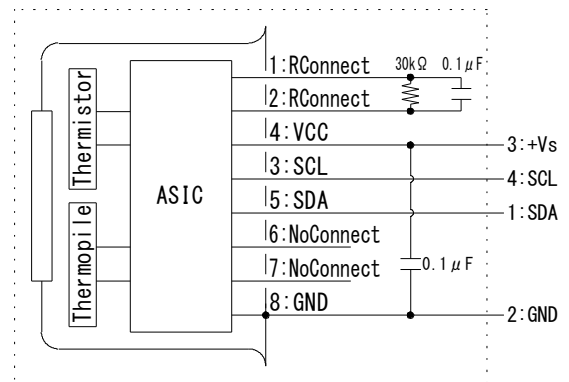
FOV



SIDE View



Circuit diagram



■ Main Parameters

Tolerance without instruction : +/- 0.2

Parameters	Condition	Spec.			Units
		Min.	Typ.	Max.	
Operating Voltage		4.5	5	5.5	V
Detection Temperature		-20		120	°C
Operating Temperature		-20		100	°C
Storage Temperature		-30		105	°C
Accuracy		-2		+2	°C
Time Constant	First time only			49.4msec.	msec.