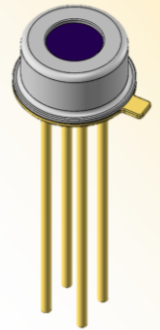


Thermopile sensor

TS-S2NMB-2RT



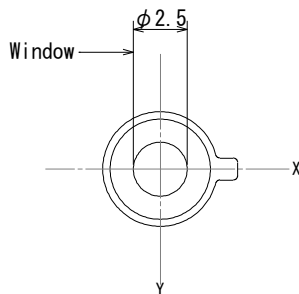
TO-18

■ Applications Ear thermometer
(Human body temperature detection)

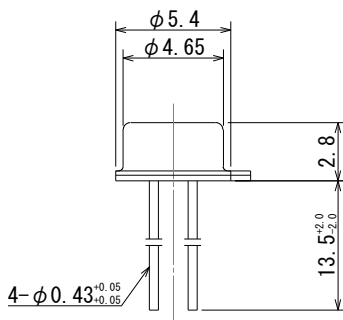
■ Feature Object-Sensor temperature detection
(2-channel)
Single element

Dimensions

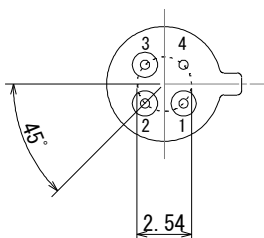
TOP VIEW



SIDE VIEW



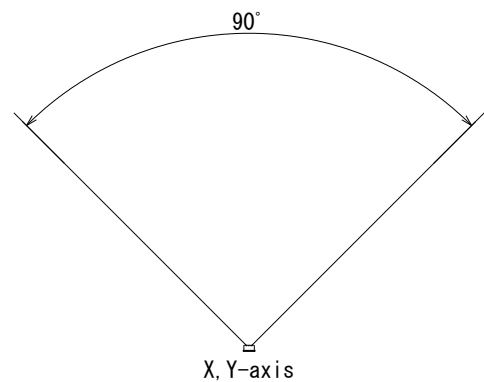
BASE VIEW



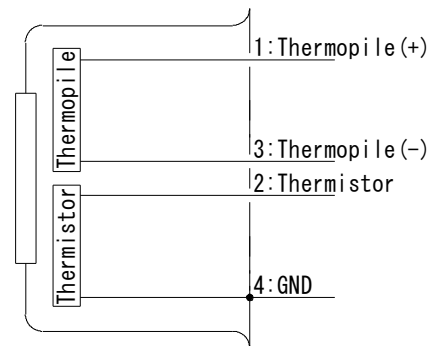
1:Thermopile (+)
2:Thermistor
3:Thermopile (-)
4:GND

Tolerance without instruction : +/- 0.2

FOV



Circuit diagram



■ Main Parameters

Parameters	Condition	Spec.			Units
		Min.	Typ.	Max.	
Sensitivety Output	323K at shutter opening	1.82	2.43	3.03	mV
Resistance of thermopile		145	175	205	kΩ
Thermistor resistor		95	100	105	kΩ
Operating Temperature		-30		80	°C
Time Constant		25	50	80	msec.