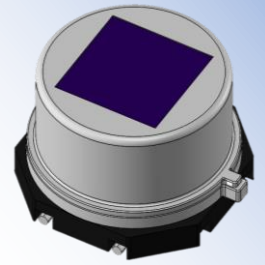


Pyroelectric IR sensor

SUM469-20

S-Pyro™
69-Pyro™

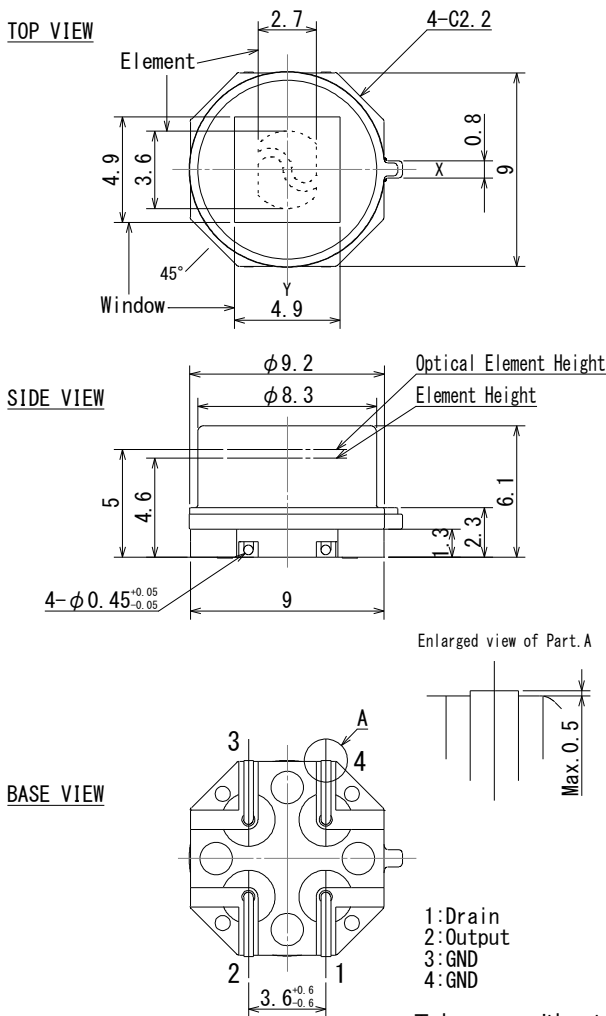


■ Applications Doorbell, IP Camera
HVAC, Home appliances

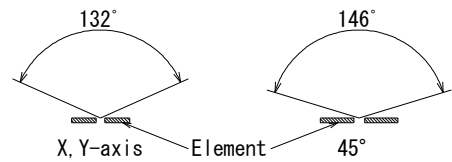
■ Feature Omni-directional dual sensor
(both ceiling mount and wall mount)
Surface mount type
Amp build-in type

TO-5

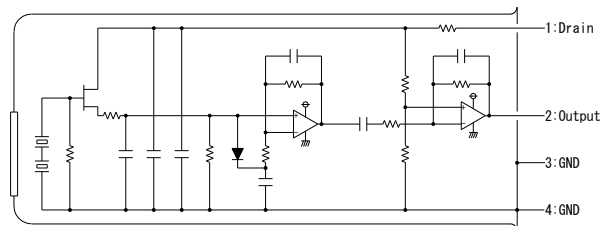
Dimensions



FOV



Circuit diagram



■ Main Parameters

Tolerance without instruction : +/- 0.2

Parameters	Condition	Spec.			Units
		Min.	Typ.	Max.	
Operating Voltage		1.8		3.6	V
Offset Voltage			Vdd/2		V
Sensitivety Output		0.75	1.5		V
Noise Output			100	250	mV
Operating Temperature		-40		70	°C