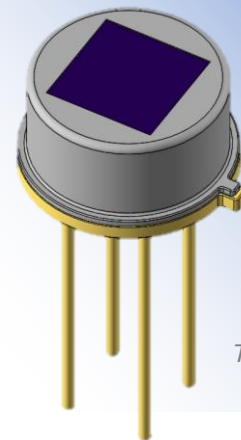


Pyroelectric IR sensor

SQG413-612

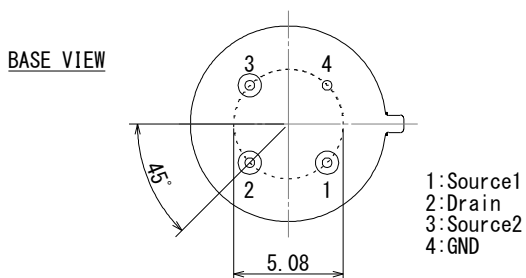
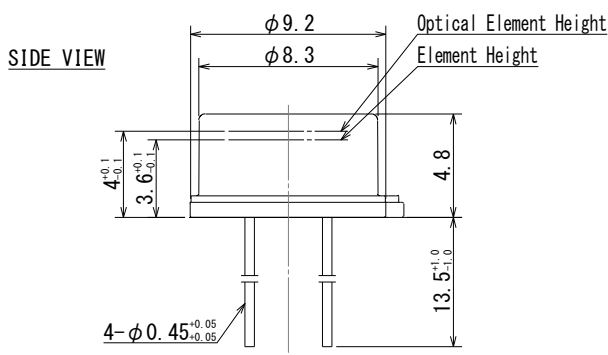
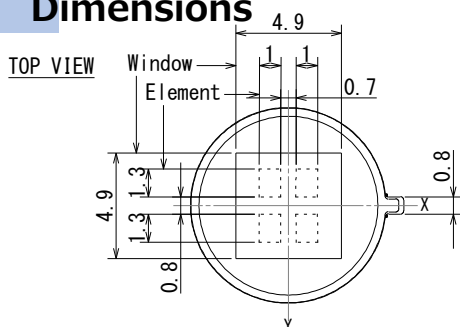


TO-5

■ Applications Security

■ Feature 4-element and 2-channel sensor
Pet immunity sensor

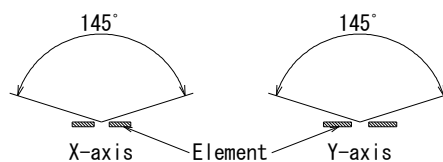
Dimensions



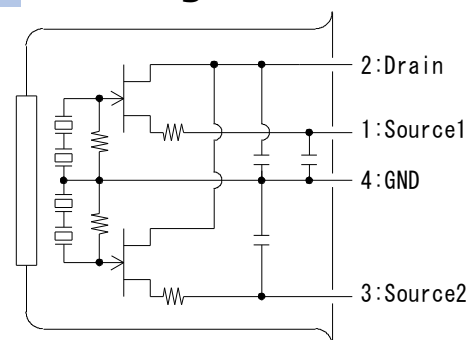
1: Source1
2: Drain
3: Source2
4: GND

Tolerance without instruction : +/- 0.2

FOV



Circuit diagram



■ Main Parameters

Parameters	Condition	Spec.			Units
		Min.	Typ.	Max.	
Operating Voltage		1		15	V
Source Voltage	Vd=5V, Rs=470kΩ, Ta=25°C	0.3		1.4	V
Sensitivity Output	72.5dB, 1Hz, 420K	2.5	4.2		V
Noise Output	72.5dB		120	250	mV
Operating Temperature		-40		70	°C