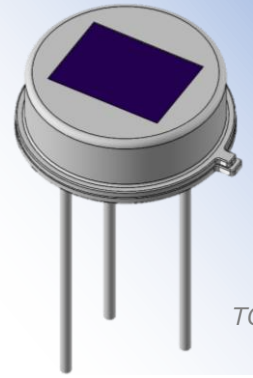


Pyroelectric IR sensor

SLG323-611

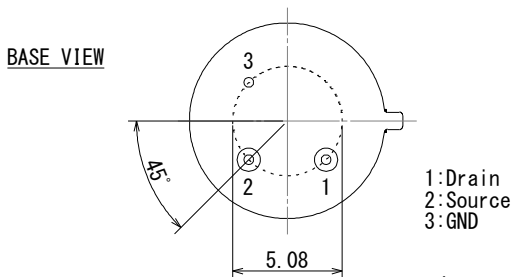
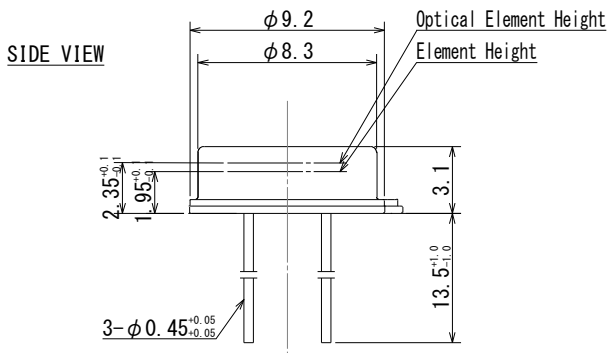
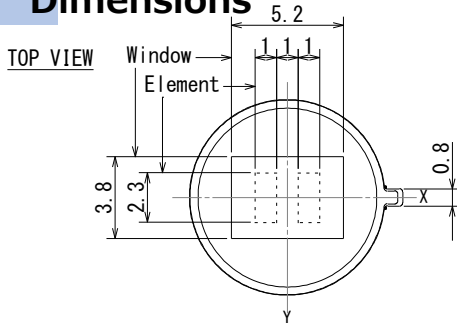
■ Applications Lighting, Doorbell, IP Camera
HVAC, Home appliances

■ Feature Low profile sensor
Low voltage operation



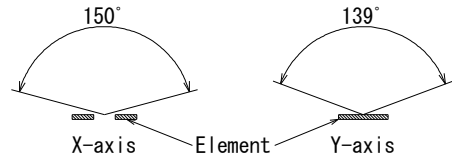
TO-5

Dimensions

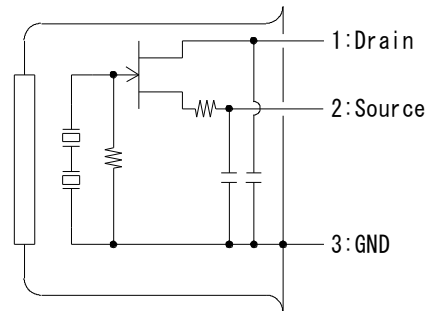


Tolerance without instruction : +/- 0.2

FOV



Circuit diagram



■ Main Parameters

Parameters	Condition	Spec.			Units
		Min.	Typ.	Max.	
Operating Voltage		1		15	V
Source Voltage	Vd=5V, Rs=470kΩ, Ta=25°C	0.3		1.4	V
Sensitivety Output	72.5dB, 1Hz, 420K	3	4.2		V
Noise Output	72.5dB		90	250	mV
Operating Temperature		-40		70	°C