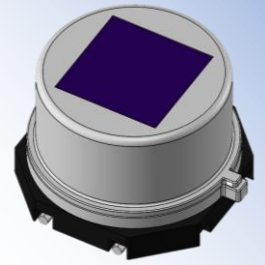


# Pyroelectric IR sensor

## SFM469-511

S-Pyro™  
69-Pyro™

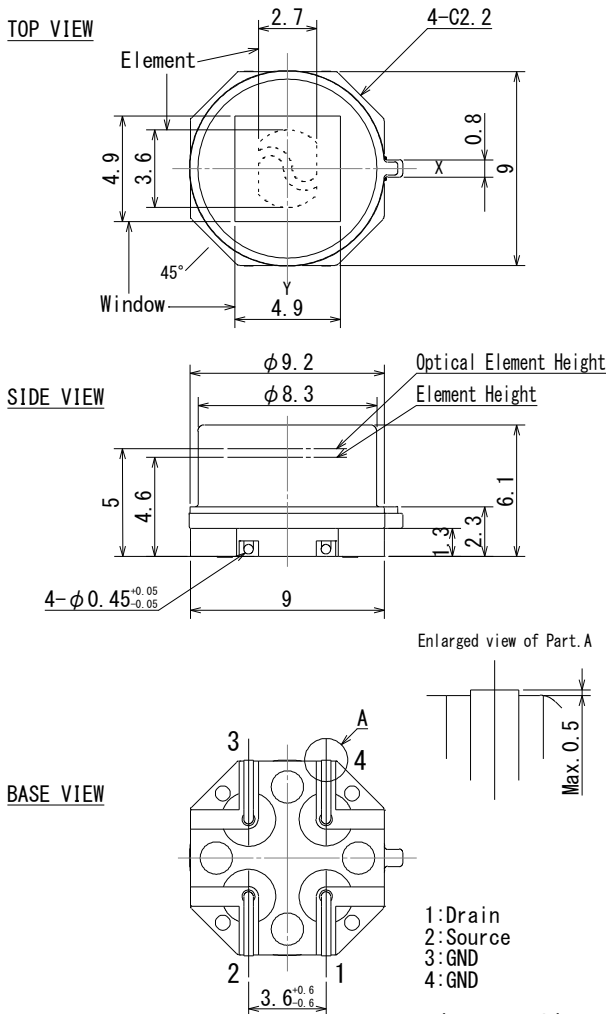


■ Applications Security

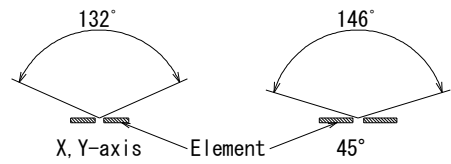
■ Feature Omni-directional dual sensor  
(both ceiling mount and wall mount)  
Surface mount type  
High EMC

TO-5

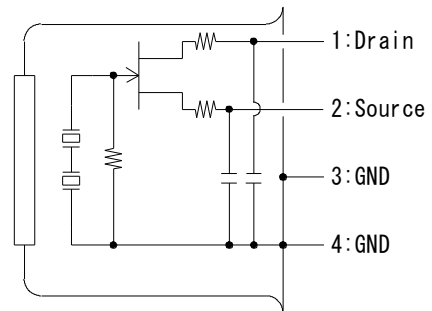
### Dimensions



### FOV



### Circuit diagram



### ■ Main Parameters

Tolerance without instruction : +/- 0.2

Parameters	Condition	Spec.			Units
		Min.	Typ.	Max.	
Operating Voltage		1		15	V
Source Voltage	Vd=5V, Rs=470kΩ, Ta=25°C	0.3		1.4	V
Sensitivety Output	72.5dB, 1Hz, 420K	2.2	3.6		V
Noise Output	72.5dB		70	250	mV
Operating Temperature		-40		70	°C