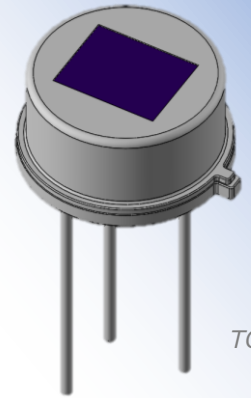


Pyroelectric IR sensor

SFG223-611

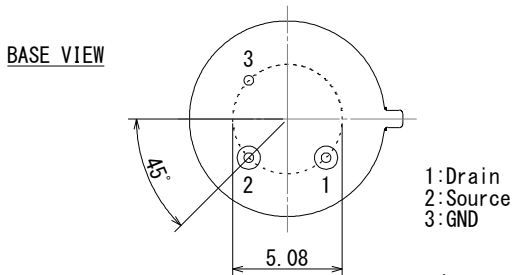
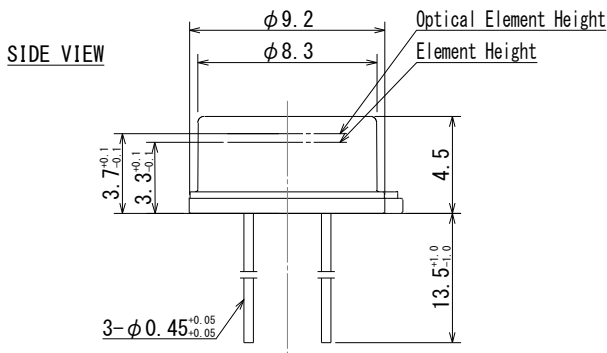
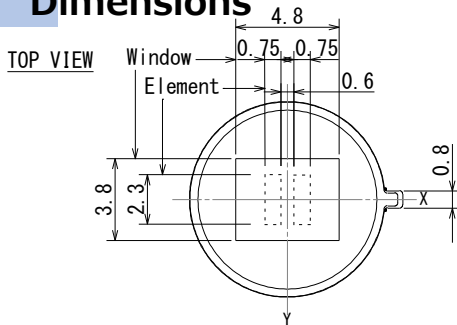
■ Applications Security

■ Feature High EMC



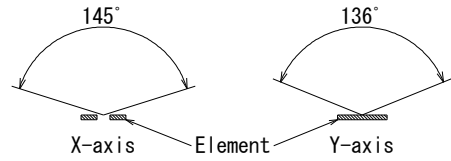
TO-5

Dimensions

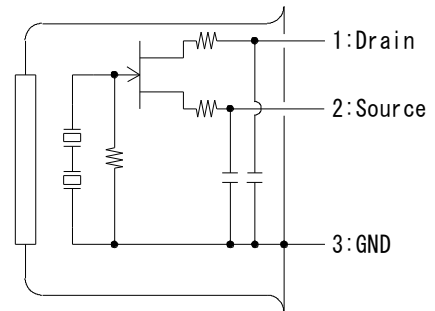


Tolerance without instruction : +/- 0.2

FOV



Circuit diagram



■ Main Parameters

Parameters	Condition	Spec.			Units
		Min.	Typ.	Max.	
Operating Voltage		1		15	V
Source Voltage	Vd=5V, Rs=470kΩ, Ta=25°C	0.3		1.4	V
Sensitivety Output	72.5dB, 1Hz, 420K	2.5	3.5		V
Noise Output	72.5dB		90	250	mV
Operating Temperature		-40		70	°C