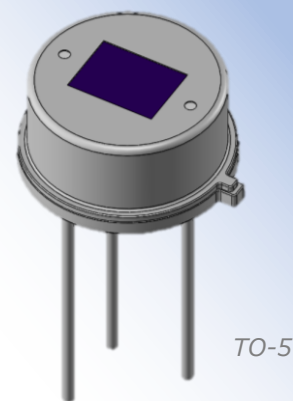


# Pyroelectric IR sensor

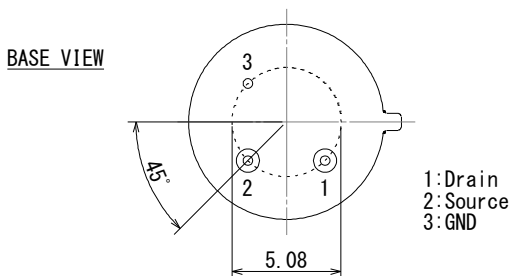
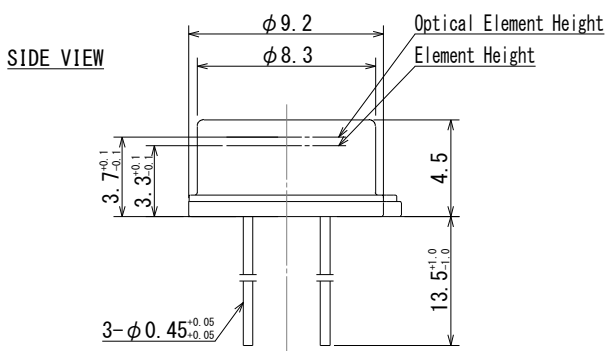
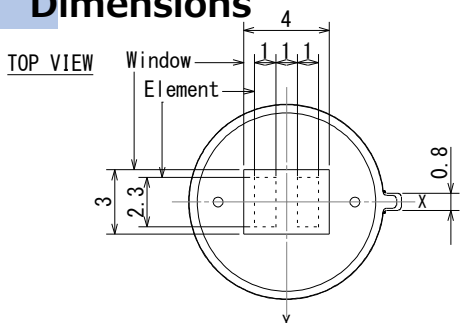
## RE200G

■ Applications Lighting, Doorbell, IP Camera

■ Feature General Purpose  
High PSRR

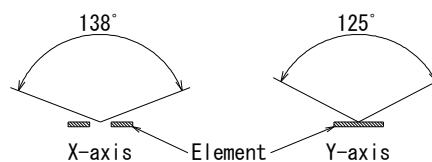


### Dimensions

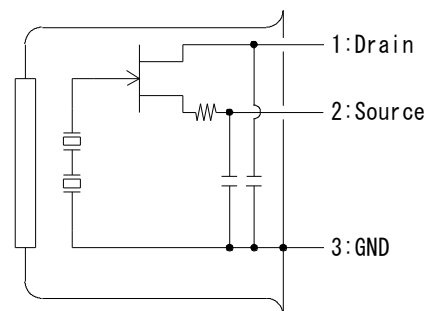


Tolerance without instruction : +/- 0.2

### FOV



### Circuit diagram



### ■ Main Parameters

Parameters	Condition	Spec.			Units
		Min.	Typ.	Max.	
Operating Voltage		3		10	V
Source Voltage	Vd=5V, Rs=47kΩ, Ta=25°C	0.3		1.4	V
Sensitivety Output	72.5dB, 1Hz, 420K	2.1	3.3		V
Noise Output	72.5dB		70	250	mV
Operating Temperature		-20		70	°C