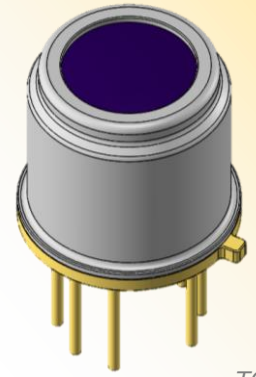


Thermopile sensor

A3D01S-CU-50-300

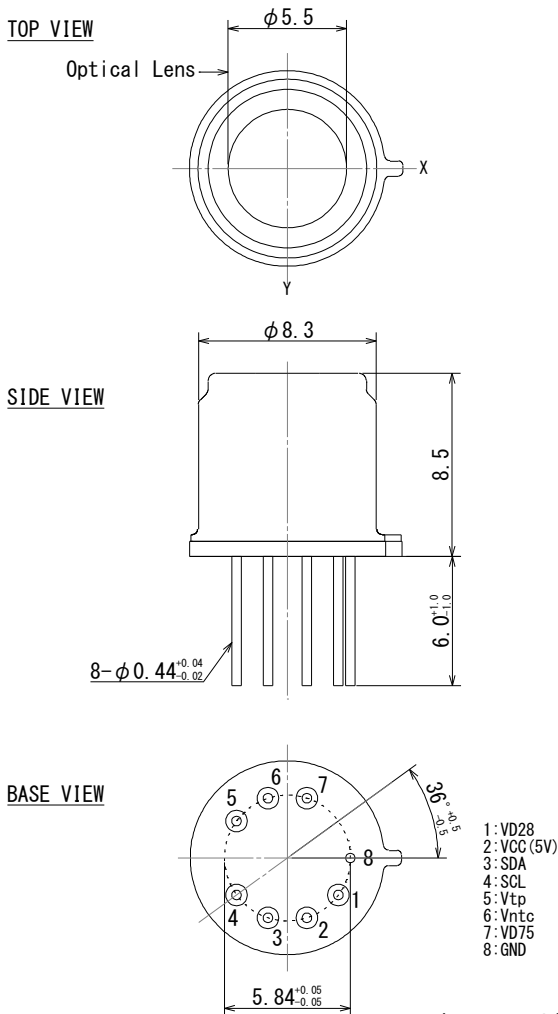


TO-5

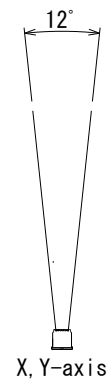
- Applications **IH Cooker**
(Pot surface temperature detection)
Target temperature -20~300°C

- Feature **ASIC built-in thermopile(I2C output)**
Focused detection(Single element)

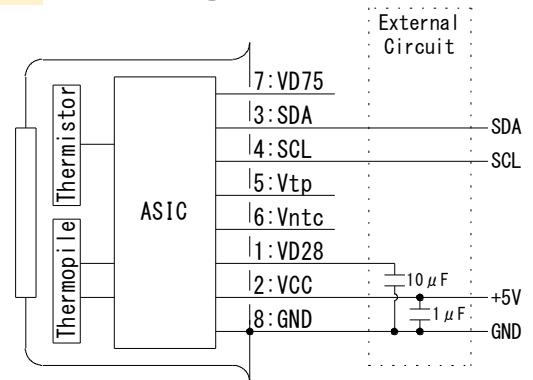
Dimensions



FOV



Circuit diagram



Tolerance without instruction : +/- 0.2

■ Main Parameters

Parameters	Condition	Spec.			Units
		Min.	Typ.	Max.	
Operating Voltage		4.5	5	5.5	V
Detection Temperature		-30		400	°C
Operating Temperature		-20		100	°C
Storage Temperature		-30		105	°C
Accuracy		-3		+3	°C
Time Constant	First time only 49.4msec.	29.4			msec.