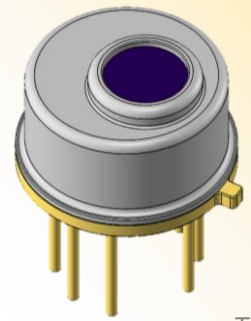


Thermopile sensor

A1D16B-AU-50-120

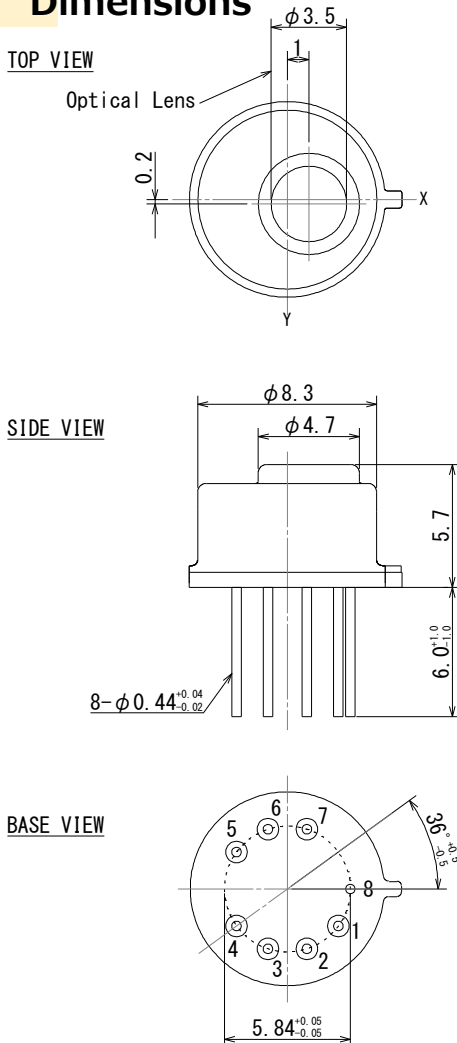


TO-5

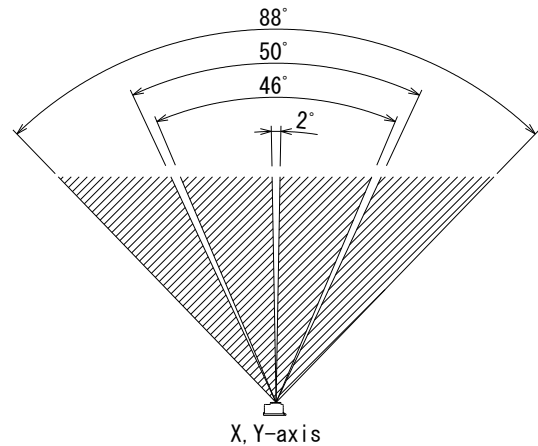
- Applications **Microwave oven**
(Food temperature detection)
Target temperature -20~120°C

- Feature **ASIC built-in thermopile(I2C output)**
4 x 4 square element

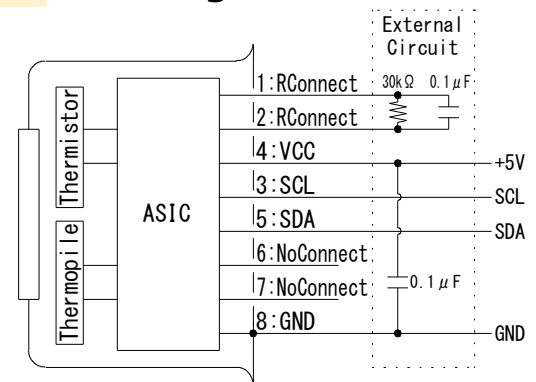
Dimensions



FOV



Circuit diagram



■ Main Parameters

Tolerance without instruction : +/- 0.2

Parameters	Condition	Spec.			Units
		Min.	Typ.	Max.	
Operating Voltage		4.5	5	5.5	V
Detection Temperature		-20		120	°C
Operating Temperature		-20		100	°C
Storage Temperature		-30		105	°C
Accuracy		-2		+2	°C
Time Constant				100	msec.